

4

3

2

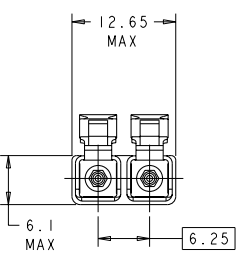
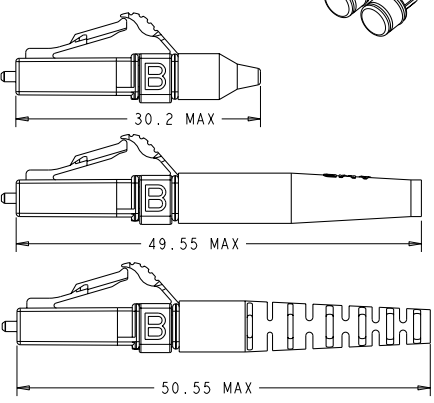
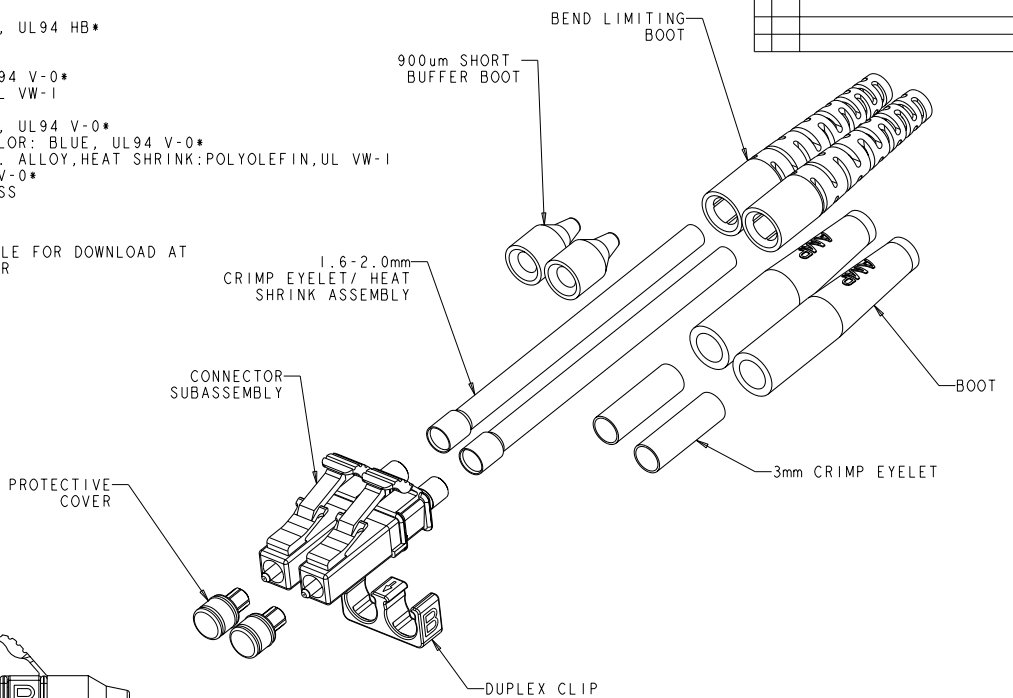
1

THIS DRAWING IS UNPUBLISHED. RELEASED FOR PUBLICATION BY TYCO ELECTRONICS CORPORATION. ALL RIGHTS RESERVED. COPYRIGHT 20

REV	DATE	BY	APPV
1	NPR 09-0129	BB	SM

MATERIAL
 PROTECTIVE COVER: TPE, COLOR: BLACK, UL94 HB*
 FERRULE SUBASSEMBLY: ZIRCONIA/METAL
 COMPRESSION SPRING: STAINLESS STEEL
 FRONT HOUSING: PEI, COLOR: BLUE, UL94 V-0*
 INNER TUBING: PTFE, COLOR: CLEAR, UL VW-1
 REAR BODY: METAL
 BEND LIMITING BOOT: PP, COLOR: BLUE, UL94 V-0*
 BOOT AND SHORT BUFFER BOOT: TPE, COLOR: BLUE, UL94 V-0*
 CRIMP EYELET/HEAT SHRINK ASSY: ALUM. ALLOY, HEAT SHRINK: POLYOLEFIN, UL VW-1
 DUPLEX CLIP: PP, COLOR: BLUE, UL94 V-0*
 3mm CRIMP EYELET: NICKEL PLATED BRASS
 *RATED AT QUALIFYING THICKNESS.

- INSTRUCTION SHEET: 408-8675 AVAILABLE FOR DOWNLOAD AT www.tycoelectronics.com/documents/OR OR www.ampnetconnect.com/foguide.
- BULK PACKAGE.



DESCRIPTION	PART NUMBER
DUPLEX, 3.0mm JACKETED	2-2064937-3
DUPLEX, 1.6-2.0mm JACKETED	2-2064937-2
DUPLEX, 900um BUFFERED	2-2064937-1
SIMPLEX, 3.0mm JACKETED	2064937-3
SIMPLEX, 1.6-2.0mm JACKETED	2064937-2
SIMPLEX, 900um BUFFERED	2064937-1

DIMENSIONS: mm 0 P/LC ± 1 P/LC ± 2 P/LC ± 3 P/LC ± 4 P/LC ± ANGLES FINISH	AUTHORIZED REPRESENTATIVE: D. BAICHTLE DATE: 3/13/2009	OWN: B. BRIGGS DATE: 3/13/2009 CHK: S. MILLER DATE: 3/13/2009 APPV: D. BAICHTLE DATE: 3/13/2009	Tyco Electronics Harrisburg, PA 17105-3608
MATERIAL:		PRODUCT SPEC: KIT, CONNECTOR, LC, SM, BULK PACK	RESTRICTED TO:
WEIGHT:		SIZE: A200779	CASE CODE: C-2064937
CUSTOMER DRAWING		SCALE: 3:1	SHEET 1 OF 1