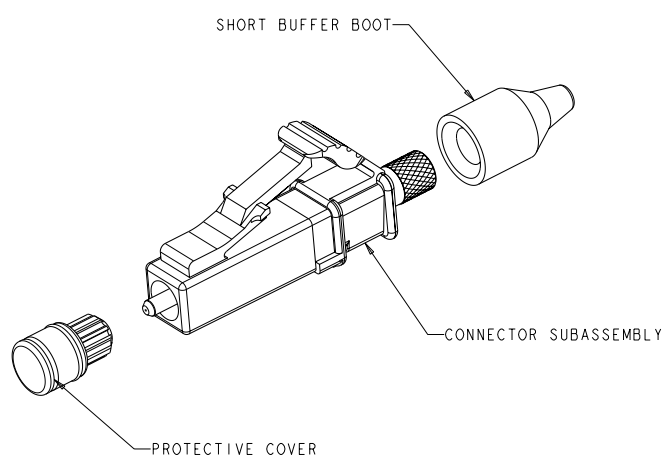
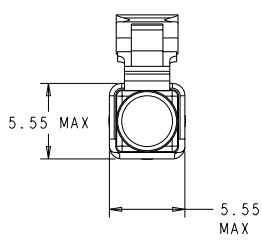
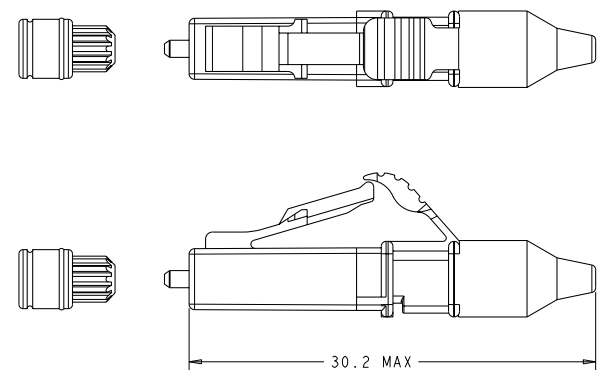


REV	DATE	BY	APPV
B2	16MAR2009	BB	SB
C	12MAY2010	IL	CT



MATERIAL
 PROTECTIVE COVER: TPE, COLOR: BLACK, UL94 HB*
 FERRULE SUBASSEMBLY: ZIRCONIA/METAL
 COMPRESSION SPRING: STAINLESS STEEL
 FRONT HOUSING: PEI, COLOR: BEIGE, UL94 V-0*
 INNER TUBING: PTFE, COLOR: CLEAR, UL VW-1
 REAR BODY: METAL
 BOOT: TPE, UL94 V-0*, SEE TABLE FOR COLOR.
 *RATED AT QUALIFYING THICKNESS.

BULK PACKAGE.
 3. INSTRUCTION SHEET: 408-8675 AVAILABLE FOR DOWNLOAD AT
www.tycoelectronics.com/documents OR
www.ampnetconnect.com/foguide.



BLACK	1918385-6
AQUA	1918385-5
BLACK	1918385-4
AQUA	1918385-3
BEIGE	1918385-2
BEIGE	1918385-1
BOOT COLOR	PART NUMBER

DIMENSIONS: mm 0 PLC ± 1 PLC ± 2 PLC ± 3 PLC ± 4 PLC ± ANGLES ± MATERIAL △ FINISH -		AUTHORITY: B. BRIGGS 03MAY2006 CHECKED: D. ROHDE 03MAY2006 APPROVED: S. BUCHTER 03MAY2006 APPLICATION SPEC: - WEIGHT: - CUSTOMER DRAWING	NAME: KIT, CONNECTOR, LC, SIMPLEX, MM, 900um BUFFER SIZE: A2 CASE CODE: - DRAWING NO: ©-1918385 SCALE: 5:1 SHEET: 1 OF 1 REV: C	Tyco Electronics Corporation Shanghai, China
---	--	---	---	---