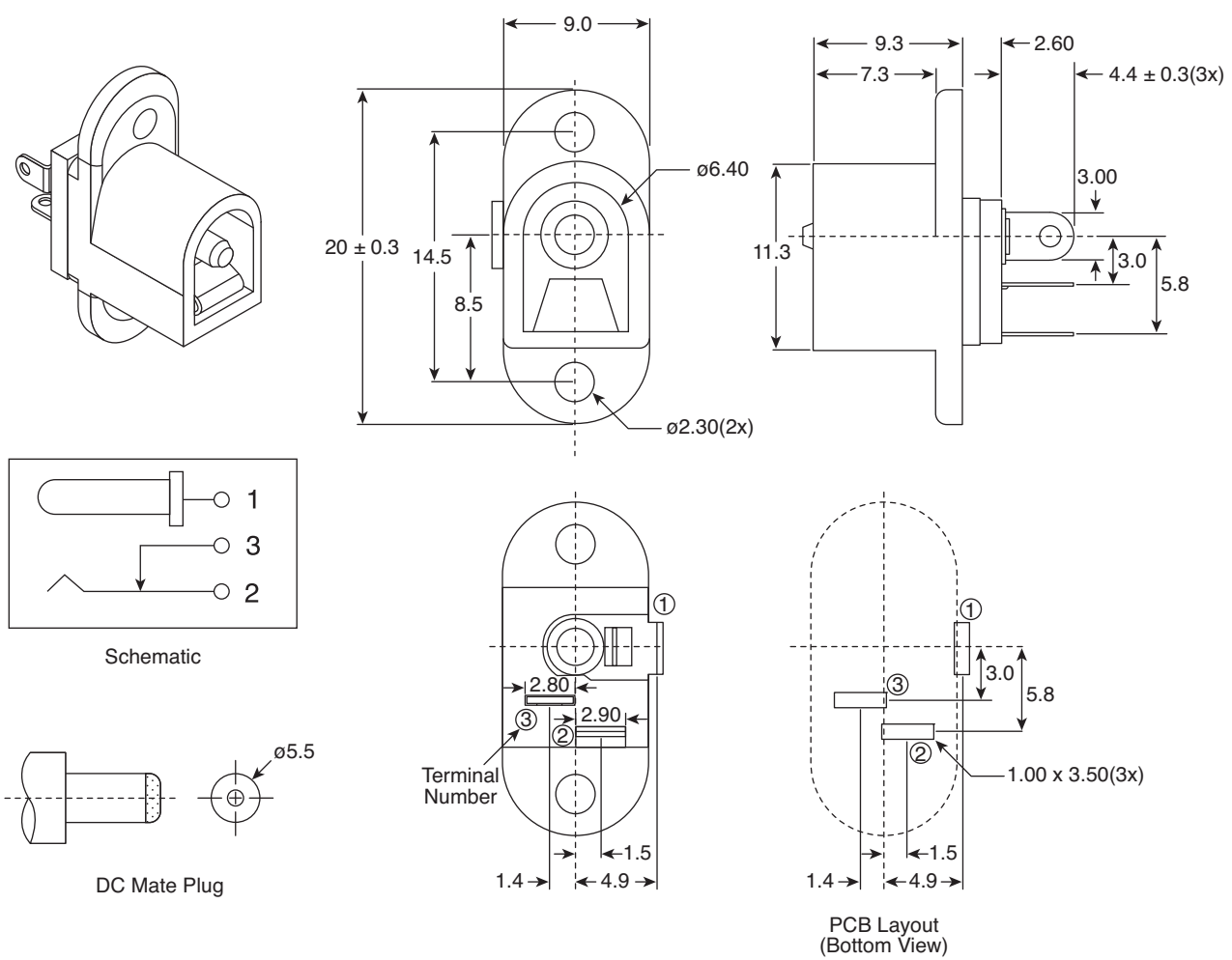


# 2.5mm DC Power Jack

163-5007



2.5mm DC Power Jack



DIMENSIONS: mm

ELECTRICAL SPECIFICATIONS	
<b>Insulation resistance:</b>	50MΩ min. @ 500V resistance
<b>Voltage test:</b>	500V for 1 minute
<b>Contact resistance:</b>	30mΩ @ 1A
<b>Rating:</b>	12VDC/1A Max.
<b>Operating Temp:</b>	+25°C to -85°C
<b>Life Test:</b>	5,000 cycles

MATERIAL SPECIFICATIONS	
<b>Center Pin:</b>	Copper
<b>Terminal 1:</b>	Brass
<b>Terminal 2:</b>	Copper Alloy
<b>Terminal 3:</b>	Brass
<b>Housing:</b>	PBT
<b>Cover:</b>	PBT

Date Last Revised: 9-25-08

Available from Mouser Electronics  
 1-800-346-6873  
 www.mouser.com

KC-300376

163-5007