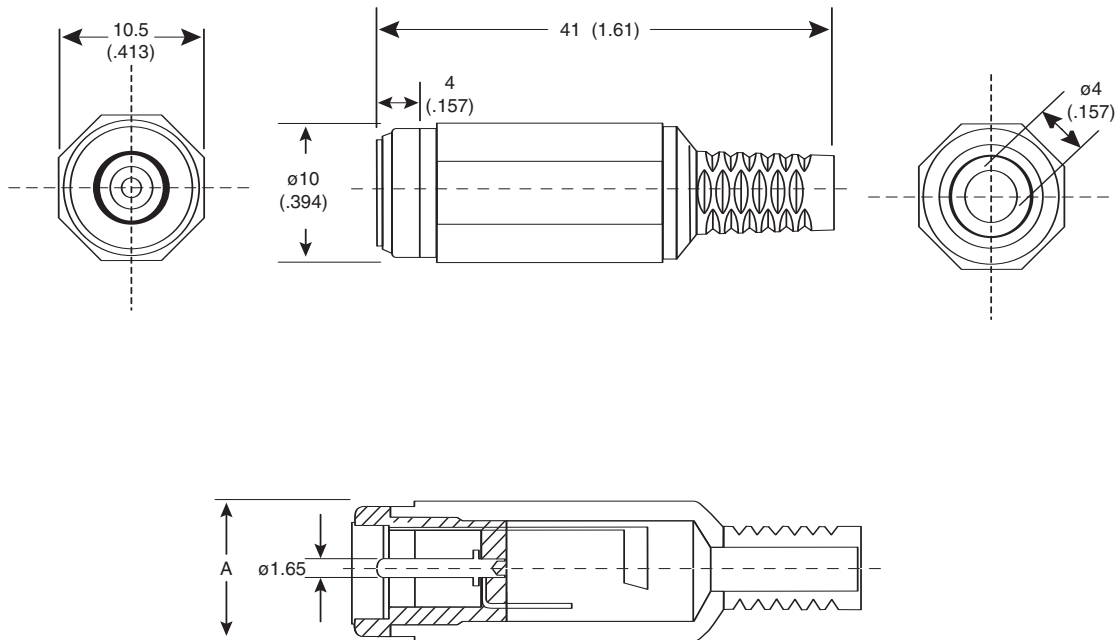


# In-Line DC Power Jack

163-0310, 163-0311

**KOBI**CONN

In-Line DC Power Jack



**DIMENSIONS: mm (IN)**

## SPECIFICATIONS

<b>Rating:</b>	163-0310= 10.5VDC 2A 163-0311= 6.3VDC 2A
<b>Breakdown Voltage:</b>	500VAC for 1 minute
<b>Insulation Resistance:</b>	100M $\Omega$ min. @ 500VDC
<b>Contact Terminal:</b>	Nickel Plated Brass
<b>Body:</b>	PA

Mouser Stock No.	Dimension A
163-0310	$\phi$ 5.0mm
163-0311	$\phi$ 4.2mm

Date Last Revised: 4-5-05

Available from Mouser Electronics  
1-800-346-6873  
www.mouser.com

KC-300395

163-0310, 163-0311