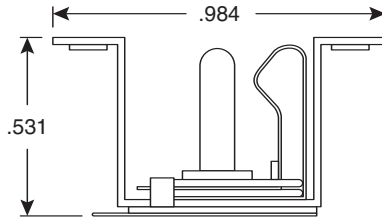
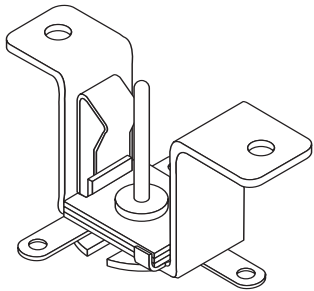


Jacks

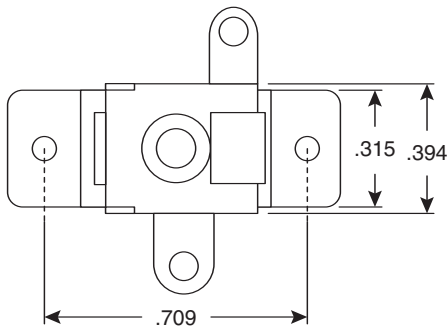
16PJ121, 16PJ122

KOBICONN

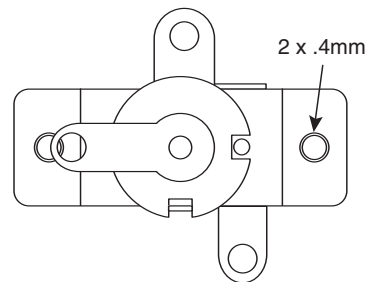
Jacks



Side View



Top View



Bottom View

DIMENSIONS: In.
(Except where noted.)

SPECIFICATIONS	
Type:	Open Metal Frame, DC Power
Current:	1A
Withstand Voltage:	500VAC for 1 minute
Insulation Resistance:	100MΩ M/M at 500VDC
Contact Resistance:	50mΩ max.
Pin:	ø2.1mm (16PJ122), ø2.5mm (16PJ121)
Mounting Screws:	Pan Head, 2x8mm x PO. .4mm, C=.10.80/m
Insulation:	Phenolic Press Board
Terminals:	Silver Plated Brass
Contacts:	Silver Plated Brass
Body:	Unichromate Plated Steel

Date Last Revised: 3-18-05

Available from Mouser Electronics
1-800-346-6873
www.mouser.com

KC-300369

16PJ121, 16PJ122