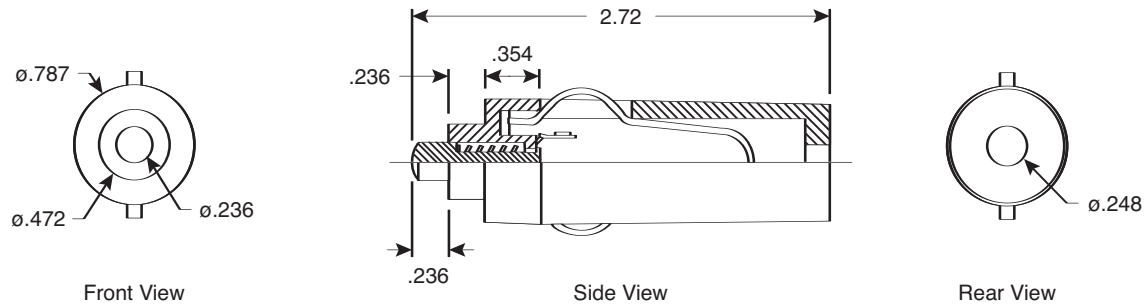


# Plug

171-0129



Plug



Dimensions: In.

SPECIFICATIONS	
Type:	auto power
Rating:	12VDC 3A
Contact resistance:	100m $\Omega$ max.
Insulation resistance:	50M $\Omega$ min. @ 250VDC
Breakdown voltage:	250VAC for 1 minute
Body, cap:	ABS, black
Sleeve contact:	nickel plated steel
Tip contact:	nickel plated brass
Tip terminal:	brass
Tip spring:	piano wire

Date Last Revised: 4-6-05

Available from Mouser Electronics  
1-800-346-6873  
www.mouser.com

KC- 300351

171-0129