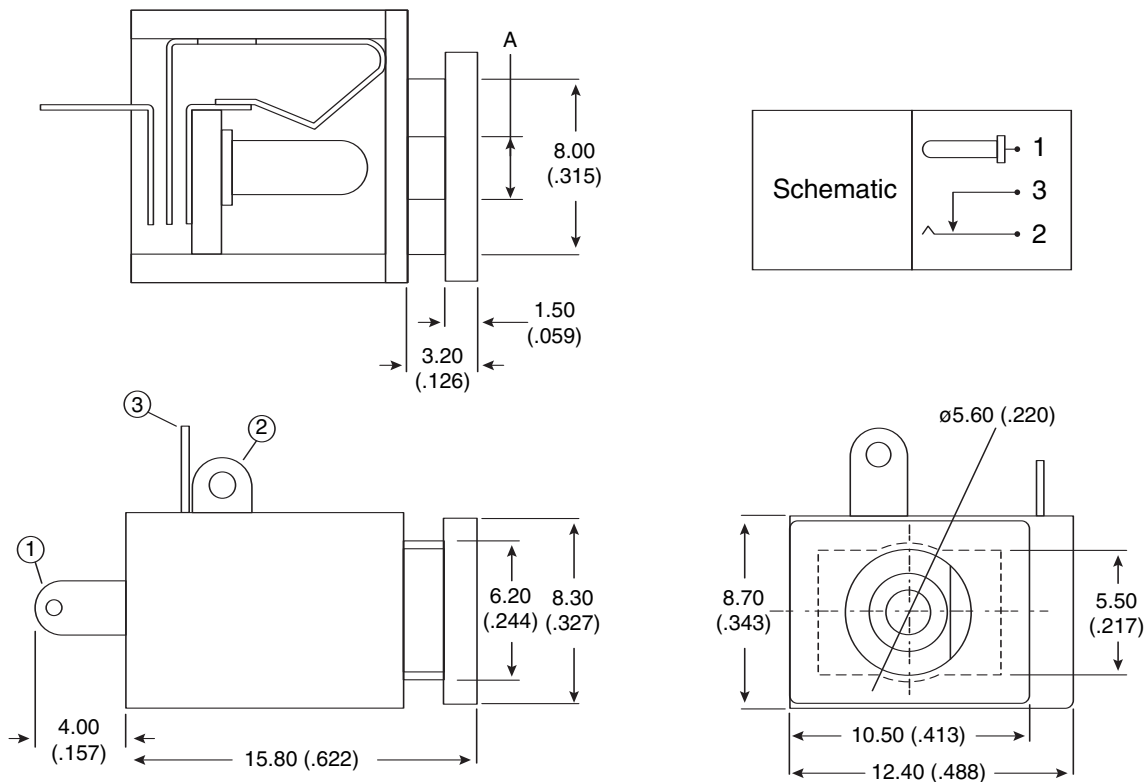


DC Power Jacks

163-2111, 163-2531



DC Power Jacks



DIMENSIONS:mm and (In.)

SPECIFICATIONS	
Housing:	POM Black
Terminals:	Phosphor bronze silver plated
Pin:	Copper nickel plated
Dielectric Strength:	500VAC for 1 min.
Insulation Resistance:	100M ohm minimum
Contact Resistance:	30m ohms max
Dimension "A":	2.0mm 163-2111 2.5mm 163-2531

Date Last Revised: 3-18-05

Available from Mouser Electronics
1-800-346-6873
www.mouser.com

KC-300375

163-2111, 163-2531