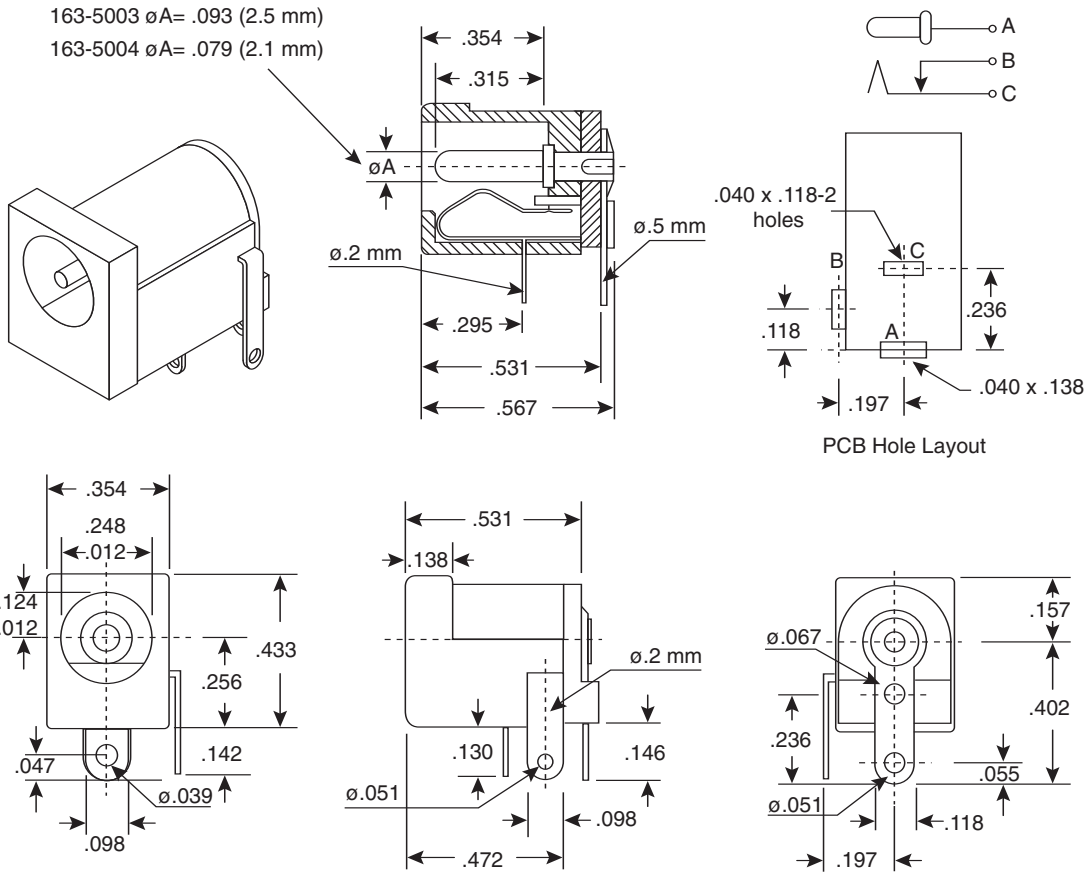


# Jacks

163-5003, 163-5004

**KOBI**CONN

Jacks



**DIMENSIONS: In.**  
(except where noted)

## SPECIFICATIONS

<b>Insulation resistance:</b>	1000M $\Omega$ @ 500VDC
<b>Shunt spring:</b>	silver plated brass
<b>Tip spring:</b>	silver plated copper alloy
<b>Contact resistance:</b>	30m $\Omega$ max.
<b>Insertion force:</b>	0.3-1.5kg
<b>Extraction force:</b>	0.3-1.5kg
<b>Voltage test:</b>	500V for 1 minute
<b>Current rating:</b>	1.5A @ 18VDC
<b>General purpose:</b>	$\pm .008$
<b>Housing &amp; back cover:</b>	PBT
<b>Center pin:</b>	nickel plated
<b>Break, pin, &amp; sleeve terminals:</b>	silver plated
<b>Life time:</b>	withstand more than 5,000 cycles insertion and withdrawal with test plug
<b>This product should not be washed using a chloride-based wash</b>	

Date Last Revised: 3-31-05

Available from Mouser Electronics  
1-800-346-6873  
www.mouser.com

KC-300385

163-5003, 163-5004