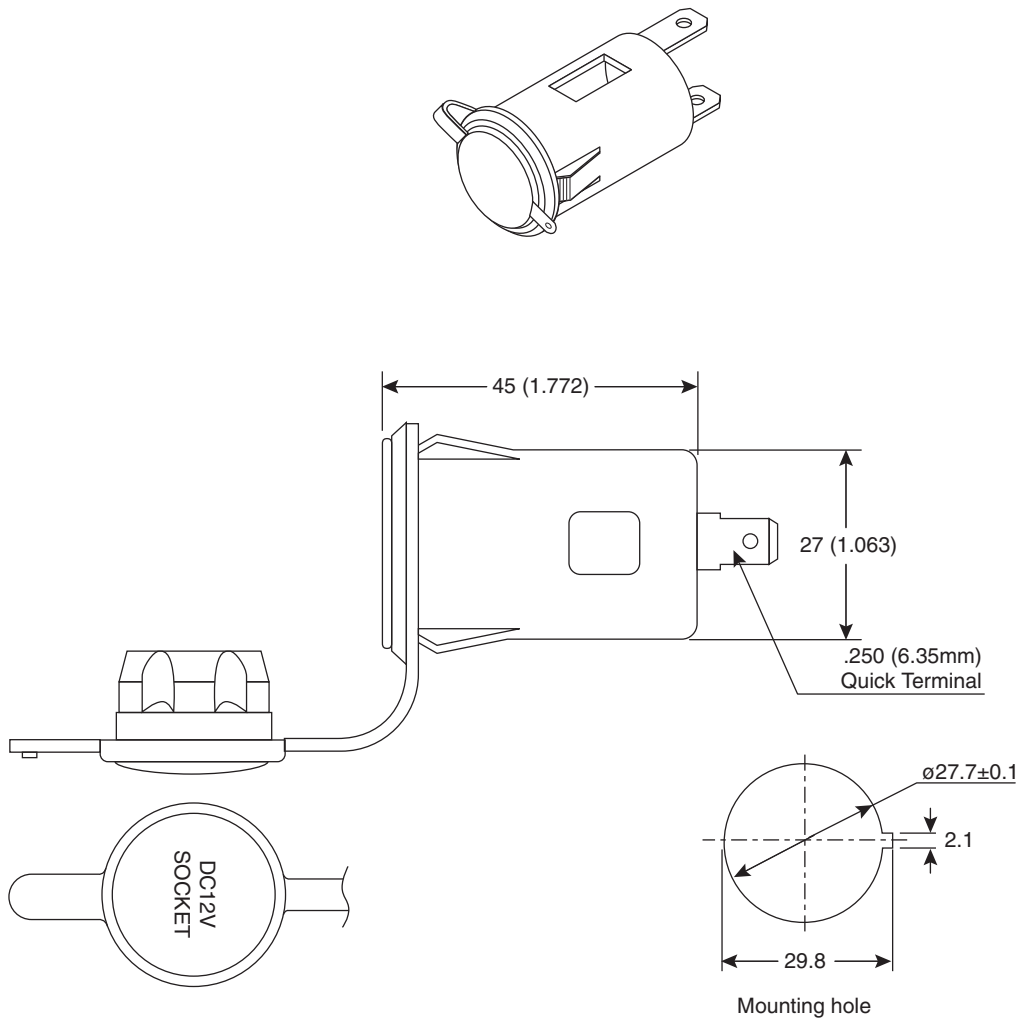


12 VDC Socket

161-1365



12 VDC Socket



Dimensions: mm (In.)

SPECIFICATIONS	
Rating:	12VDC 10A max.
Contact resistance:	50m Ω max.
Insulation resistance:	100M Ω min. @ 500VDC
Dielectric strength:	1500VAC for 1 minute
Operation temperature:	-20° ~ 65°C
Terminals:	Brass nickel plated
Base:	Nylon 66
Dust Cover:	PVC

Date Last Revised: 4-6-05

Available from Mouser Electronics
1-800-346-6873
www.mouser.com

KC-300353

161-1365