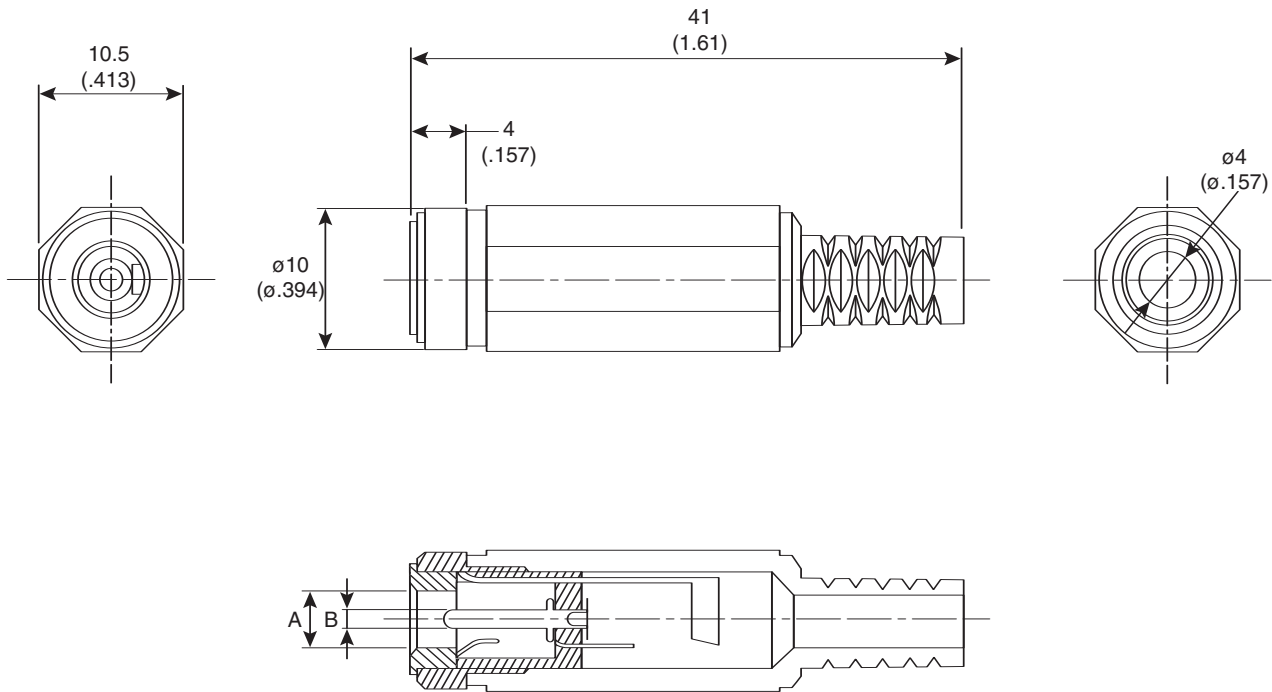


# DC Power Jack

163-0309, 163-0308

KOBI CONN

DC Power Jack



DIMENSIONS: mm (IN)

## SPECIFICATIONS

<b>Rating:</b>	12VDC .5A
<b>Breakdown Voltage:</b>	500VAC for 1 minute
<b>Insulation Resistance:</b>	100M $\Omega$ min. @ 500VDC
<b>Contact:</b>	Nickel Plated Copper
<b>Terminals:</b>	Nickel Plated Brass
<b>Body:</b>	PA

Date Last Revised: 4-5-05

Available from Mouser Electronics  
1-800-346-6873  
www.mouser.com

KC-300394

163-0309, 163-0308