

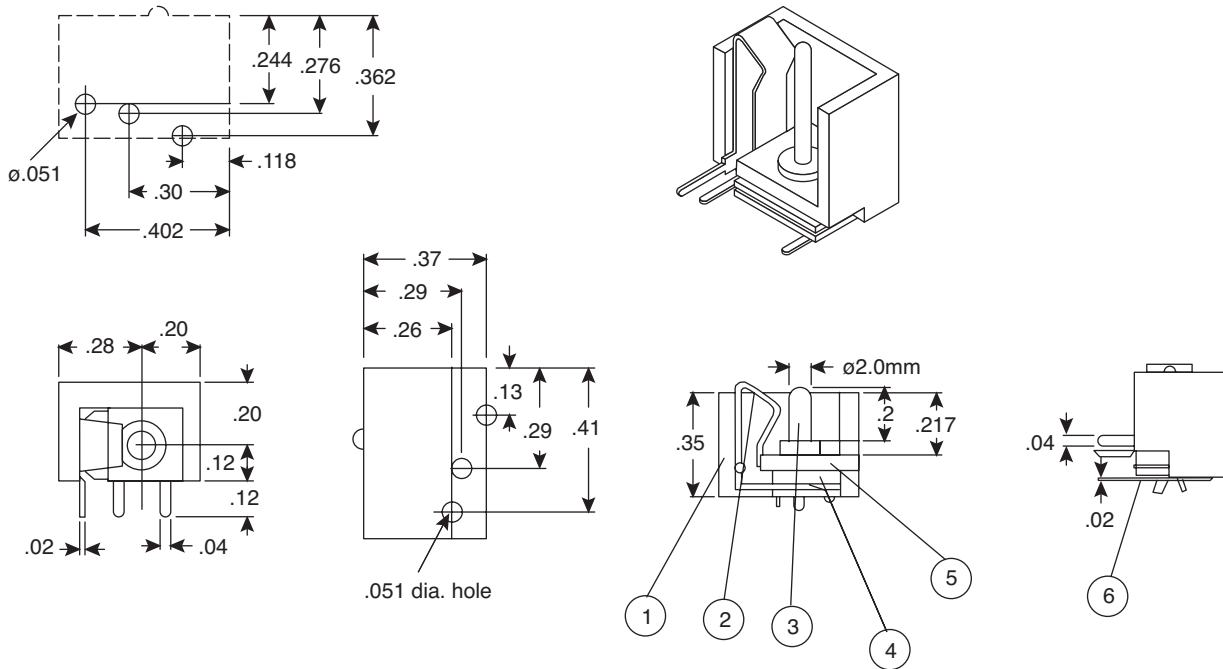
DC Power Jack

16PJ101

KOBICONN

DC Power Jack

16PJ101



DIMENSIONS: In.

SPECIFICATIONS	
Rated voltage:	12VDC
Rated current:	1A
Withstand voltage:	500VAC
Insulation resistance:	>100MΩ @ 500VAC
Contact resistance:	<60mΩ

Number	Part name	Quantity	Material	Remarks
1	Case	1	PBT	
2	Terminal A	1	Y cut M-EH	Ag plated
3	Center pin	1	Brass	Ag plated
4	Insulator	2	Phenolic resin	
5	Terminal B	1	Brass	Ag plated
6	Terminal C	1	Brass	Ag plated

Date Last Revised: 3-31-05

Available from Mouser Electronics
1-800-346-6873
www.mouser.com

KC-300388