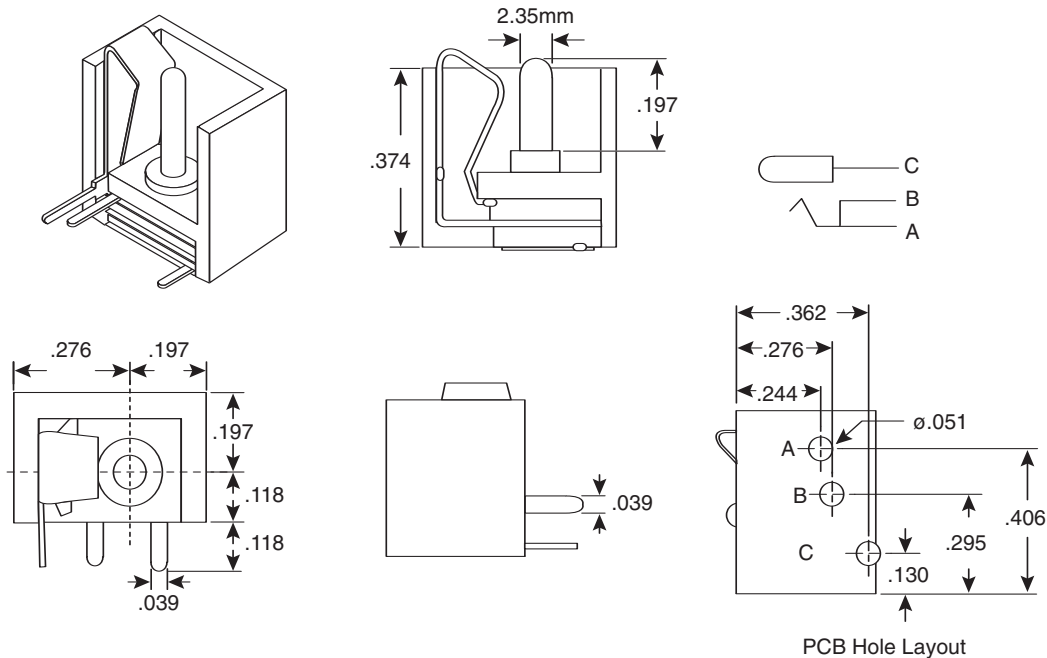


Jack

16PJ223



Jack



Dimensions: (In.)
(except where noted)

SPECIFICATIONS	
Type:	2.5mm power with NC switch, PC mount
Rated voltage:	12VDC
Rated current:	1A
Withstand voltage:	500VAC
Insulation resistance:	>100MΩ @ 500VAC
Contact resistance:	<60mΩ
Case, insulator:	PBT
Terminals:	Silverplated brass

Date Last Revised: 4-5-05

Available from Mouser Electronics
1-800-346-6873
www.mouser.com

KC- 300390

16PJ223