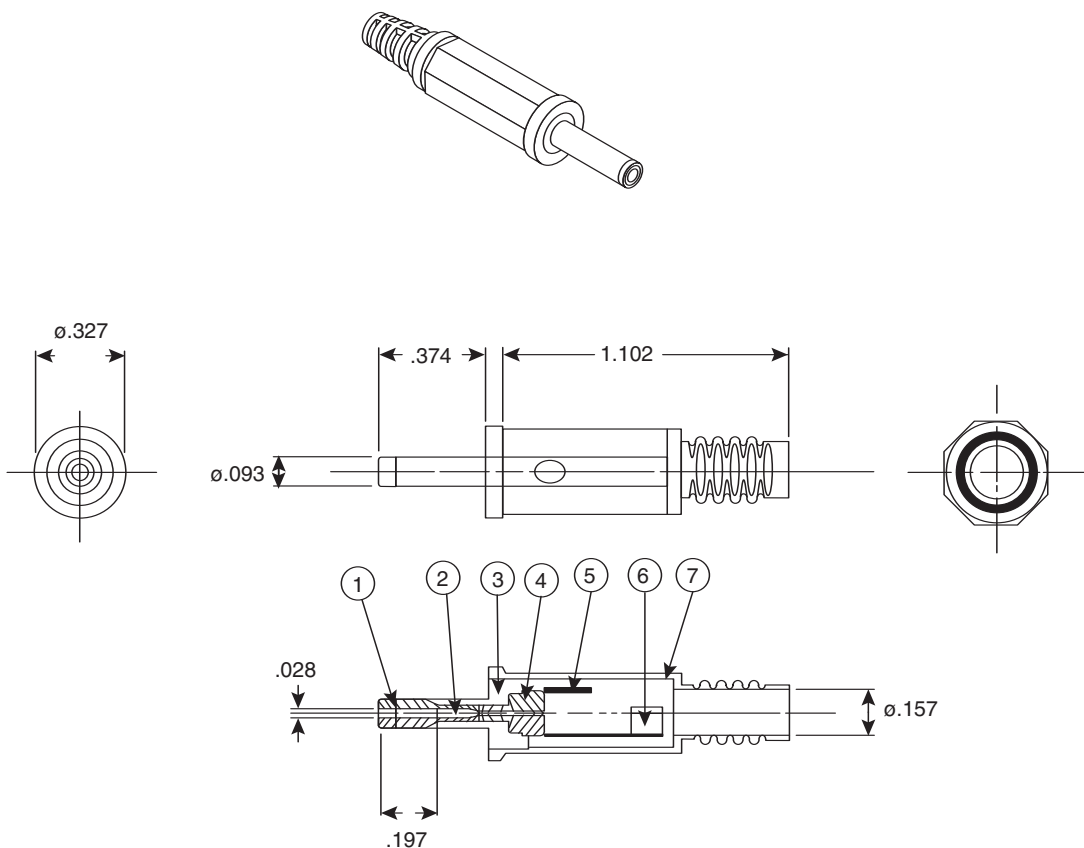


DC Power Plug

171-3218



DC Power Plug



Dimensions: In.

SPECIFICATIONS	
Terminals:	Solder (1.3mm)
Color:	Black

Materials		
Part No.	Part Name	Material
1	Insulator A	POM
2	Sleeve Metal	Nickel Plated Brass
3	Center Terminal	Nickel Plated Brass
4	Metal Ring	Nickel Plated Brass
5	Insulator B	POM
6	Terminal	Nickel Plated Brass
7	Cap	PP

Date Last Revised: 4-14-05

Available from Mouser Electronics
 1-800-346-6873
 www.mouser.com

KC-300462

171-3218