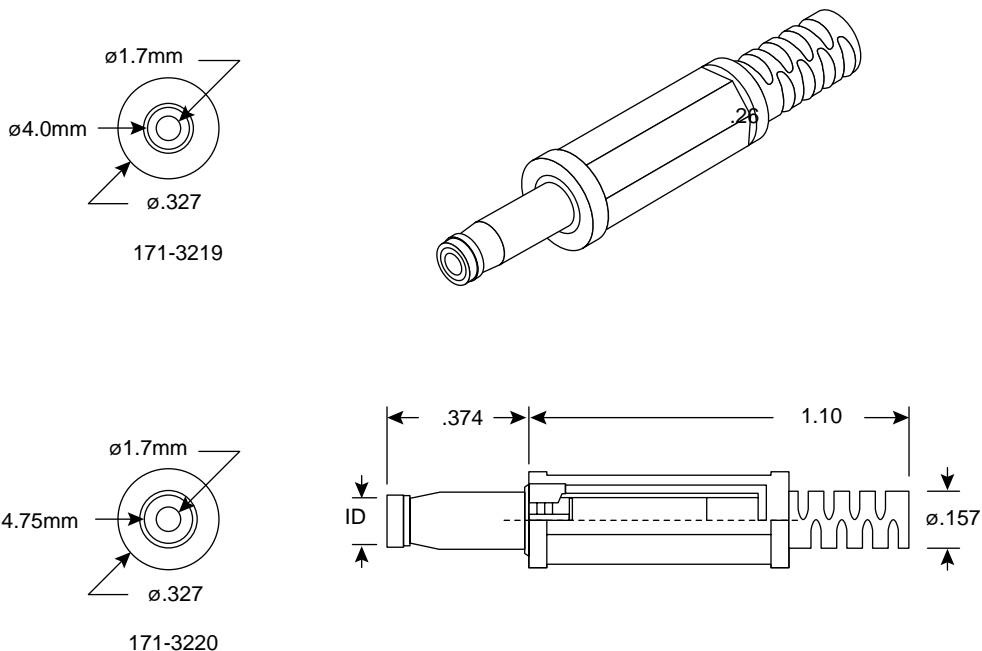


DC Power Plugs

171-3219 171-3220



DC Power Plugs



DIMENSIONS (IN.)

SPECIFICATIONS	
Color:	Black
Cap:	PP
Insulator A:	POM
Insulator B:	PC
Contact & Sleeve:	Nickel Plated Brass
Terminals:	Solder, Nickel Plated Brass
Insulation Resistance:	100MΩ (min.) @ 500VDC
Dielectric Strength:	500VAC for 1 minute
Voltage Ratings:	171-3219: 3.15V-6.3VDC 171-3220: 6.3V-10.5VDC
Current Rating:	2A
Mating Jacks:	171-3219: 163-4310 171-3220: 163-4311

Date Last Revised: 4-6-04

Available from Mouser Electronics
1-800-346-6873
www.mouser.com

KC-300035

171-3219 171-3220