

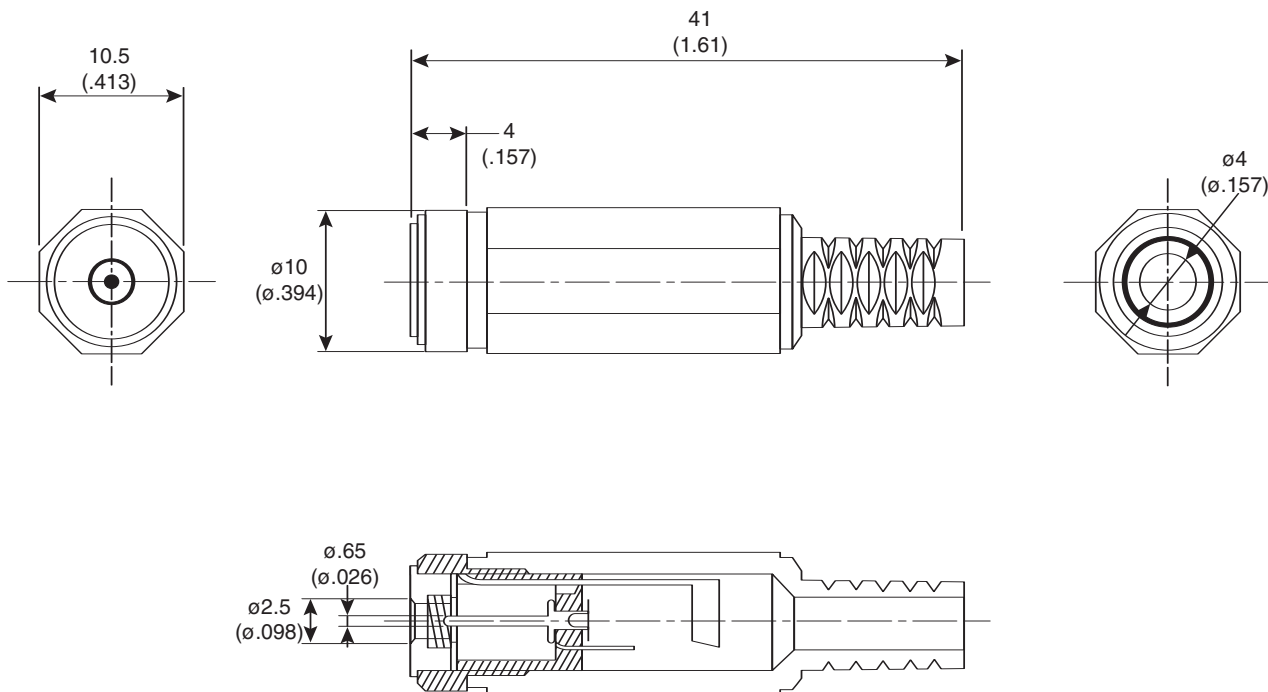
DC Power Jack

163-0307

KOBICONN

DC Power Jack

163-0307



DIMENSIONS: mm (IN)

SPECIFICATIONS

Rating:	3.15VDC 2A
Breakdown Voltage:	500VAC for 1 minute
Insulation Resistance:	100M Ω min. @ 500VDC
Contacts:	Nickel Plated Brass
Body:	PA

Date Last Revised: 4-5-05

Available from Mouser Electronics
1-800-346-6873
www.mouser.com

KC-300393