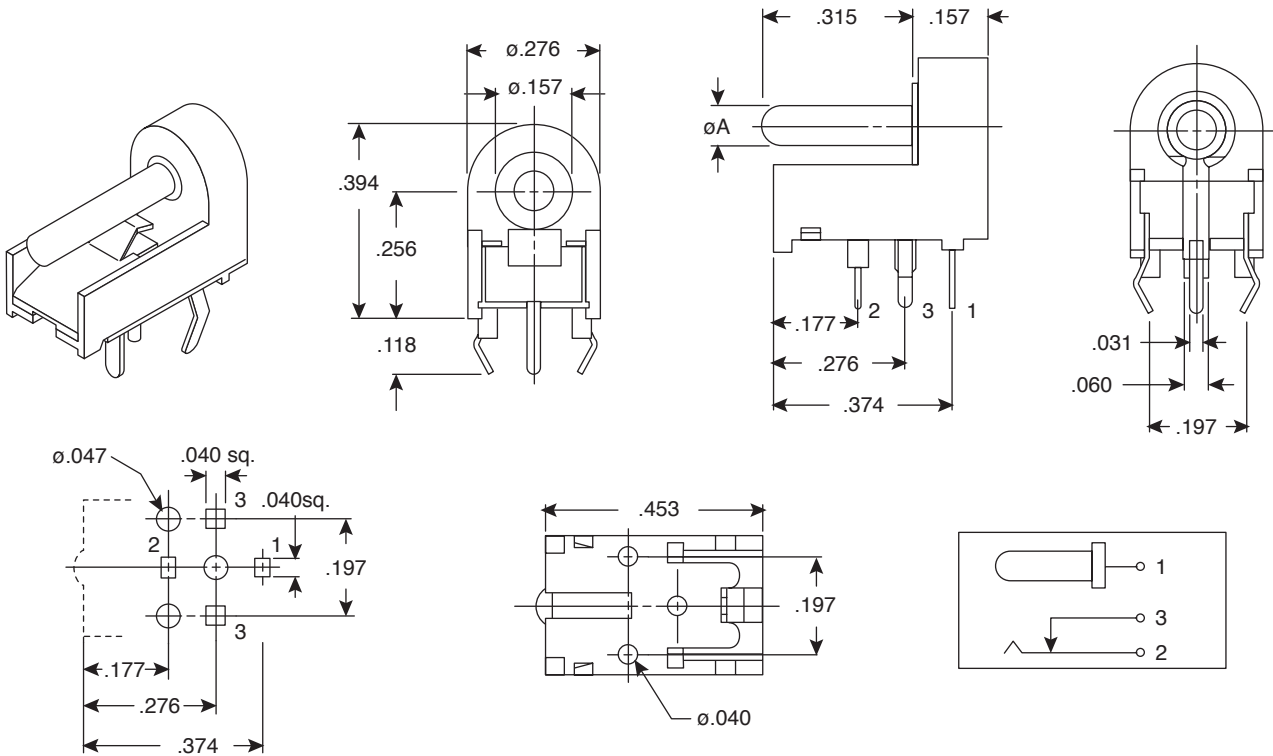


Jacks

163-5010, 163-5011

KOBICONN

Jacks



DIMENSIONS: In.

SPECIFICATIONS

Insulation resistance:	50MΩ min. @ 500VDC
Dielectric strength:	250VAC for 1 minute
Contact resistance:	30mΩ max.
Housing material:	PBT
This product should not be washed by a chloride	

Mouser Stock No.	Center Pin (A)
163-5010	2.0+0 -.05mm
163-5011	2.49+0 -.05mm

Date Last Revised: 10-14-05

Available from Mouser Electronics
1-800-346-6873
www.mouser.com

KC-300387

163-5010, 163-5011