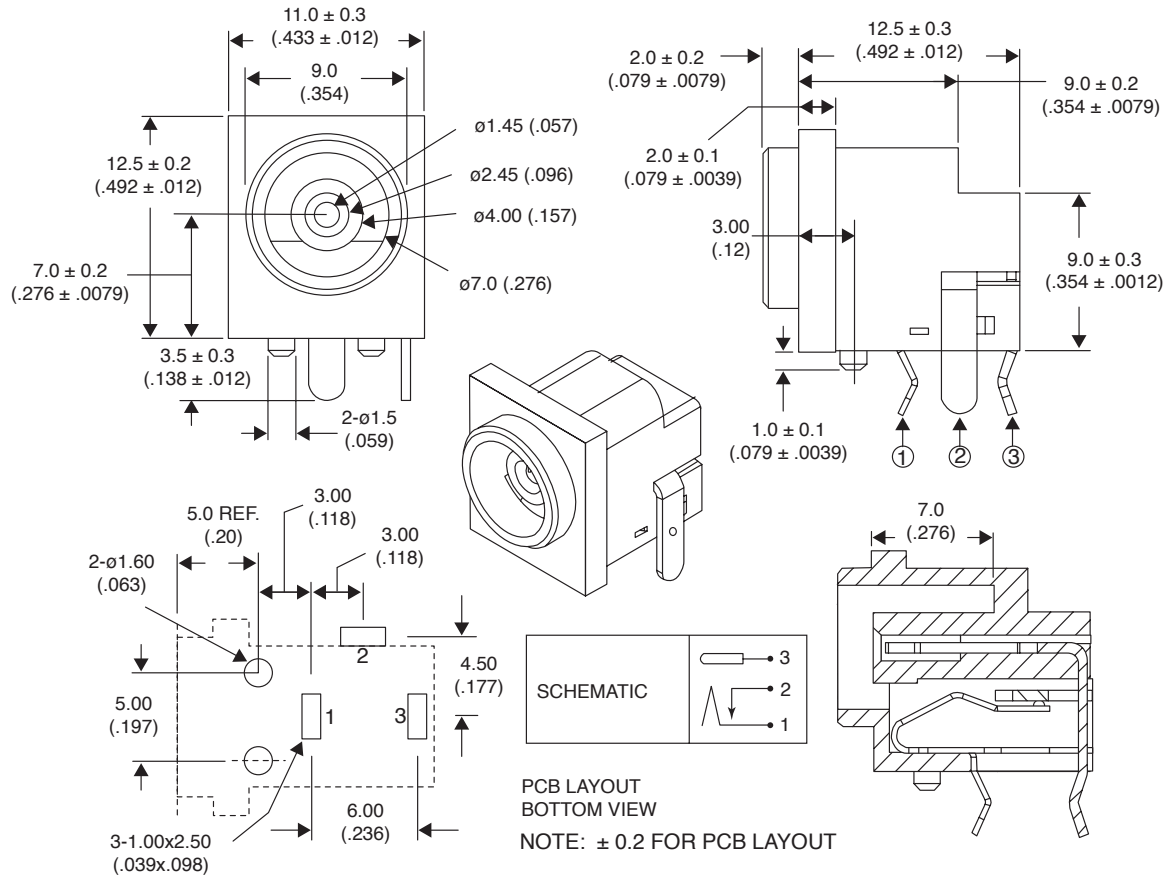


Type B DC Power Jack

163-2243



Type B DC Power Jack



Dimensions: mm and (In.)

SPECIFICATIONS	
Housing:	PBT 15% G
Terminals:	Brass silver plated
Insertion / Ext. force:	0.3-2 Kgs
Dielectric strength:	500 VAC for 1 min.
Insulation resistance:	100M Ω min.
Contact resistance:	50m Ω maximum
Life cycle:	5000 matings minimum
Operating temperature:	-25°C to +85°C
Voltage rating:	18.0 VDC
Current rating:	2.0 A

Date Last Revised: 06-29-06

Available from Mouser Electronics
1-800-346-6873
www.mouser.com

KC- 300392

163-2243