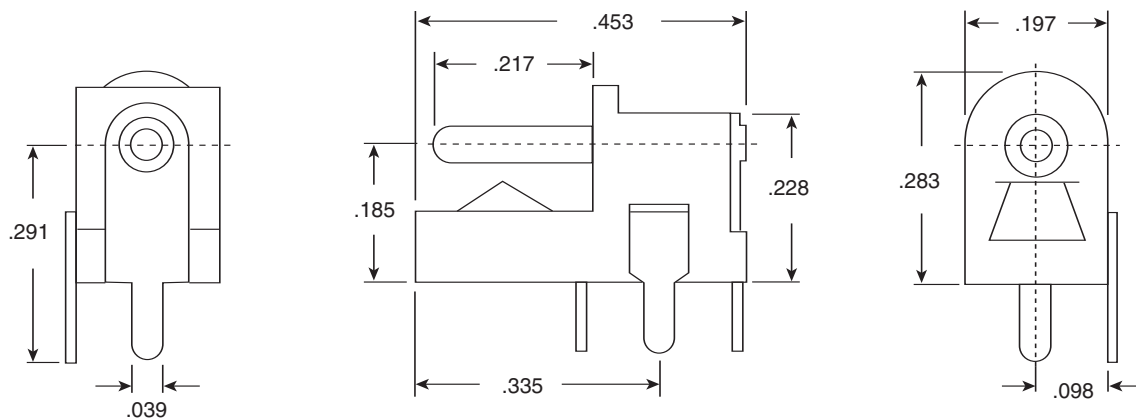
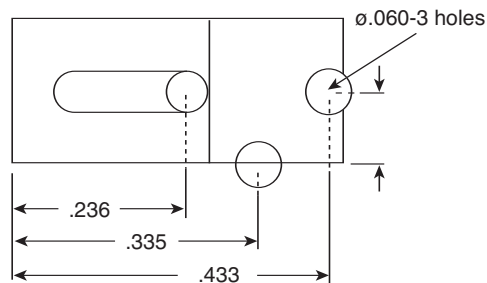
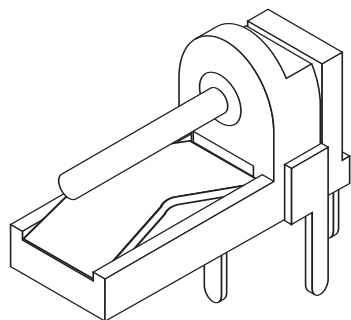


# 1.3mm DC Power Jack

163-5008



1.3mm DC Power Jack



**DIMENSIONS: (In.)**

SPECIFICATIONS	
Insulation resistance:	50M $\Omega$ @ 100V
Voltage test:	Withstand 250V
Contact resistance:	30m $\Omega$ @ 1A
NC Switch	
Mating plug O.D. (mm):	3.4

Date Last Revised: 3-18-05

Available from Mouser Electronics  
 1-800-346-6873  
 www.mouser.com

KC-300378

163-5008