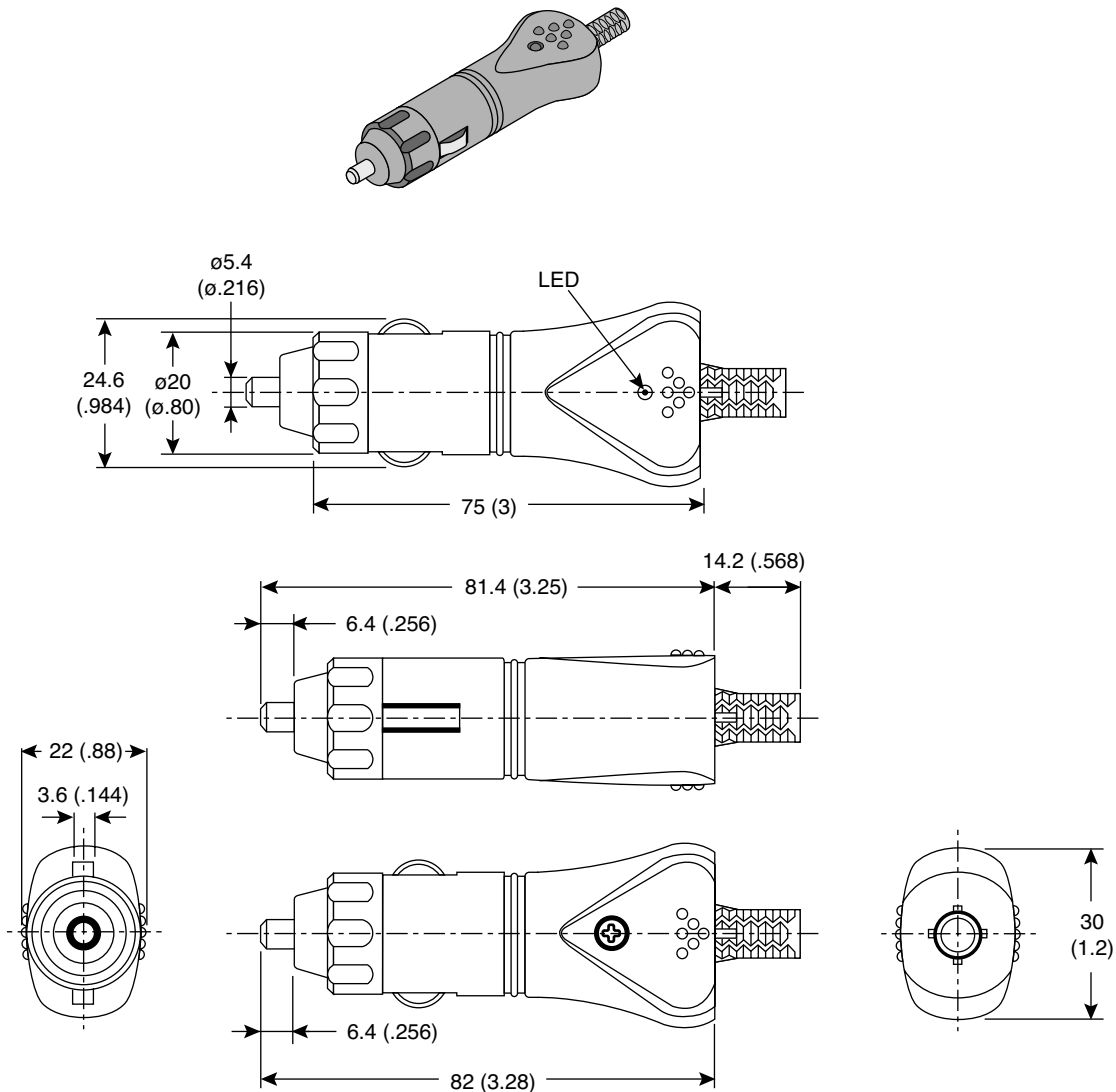


# Auto Power Plug with Green LED

171-R1326

**KOBI**CONN

Auto Power Plug with Green LED



Dimensions: mm (In.)

Specifications	
Rating:	12V, Max. 8A
Contact resistance:	100mΩ Max.
Insulation resistance:	DC 500V 100MΩ Min.
Voltage breakdown:	AC 1000V 1 Minute
Operating temperature:	-20°C ~ 65°C
Fuse:	8A .25 x 1.25
Resistor:	1/4W±5% 680Ω

Date Last Revised: 5-25-06

Available from Mouser Electronics  
1-800-346-6873  
www.mouser.com

KC-300292

171-R1326