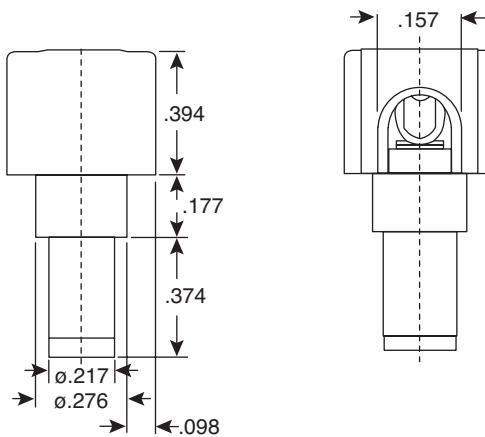
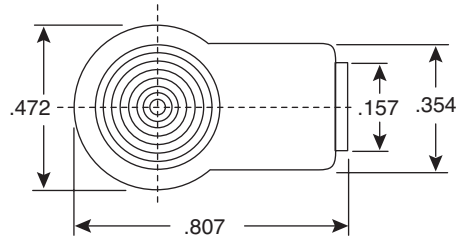
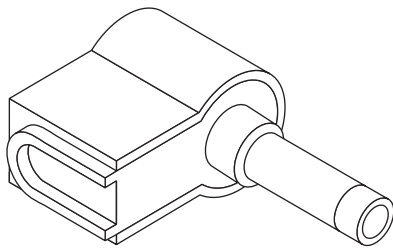


# DC Power Plugs

171-3215, 171-3216



DC Power Plugs



Dimensions: In.  
(except where noted)

SPECIFICATIONS	
Type:	right angle DC power solder terminal
Right angle application:	2.1mm (171-3215) 2.5mm (171-3216)
Contact resistance:	50mΩ max.
Insulation resistance:	100MΩ min.
Breakdown voltage:	500VAC
DC power & temperature rating:	12VDC 0.5A
Color:	black
Contacts A, B, & terminal:	nickel plated brass
Insulator:	ABS
Cap:	PVC
Operating temperature:	-25°C ~ +70°C

Date Last Revised: 10-15-05

Available from Mouser Electronics  
1-800-346-6873  
www.mouser.com

KC-300474

171-3215, 171-3216