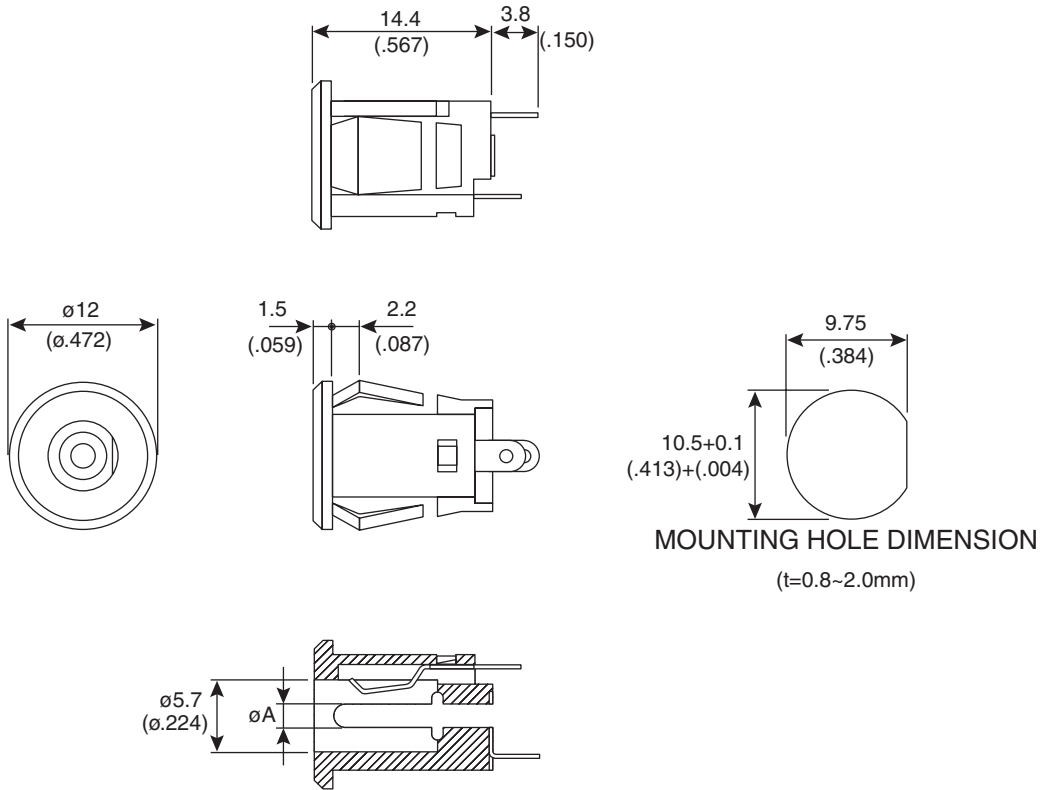


Panel Mount DC Power Jack

163-1060; 163-1061



Panel Mount DC Power Jack



Dimensions: mm (In.)

Electrical Specifications	
Rating:	(163-1060) DC12V 0.5A, (163-1061) DC12V 1A
Contact resistance:	30mΩ max
Insulation resistance:	DC500V 100MΩ min.
Withstand voltage:	AC500V for 1 min.

Mechanical Specifications	
Terminal:	Silver plated brass
Contact spring:	Silver plated copper
Pin:	Nickel plated brass
Body:	PA G=15%
Diameter (A):	163-1060 = ø1.9mm
	163-1061 = ø2.35mm

Date Last Revised: 10-6-04

Available from Mouser Electronics
1-800-346-6873
www.mouser.com

KC-300160

163-1060; 163-1061