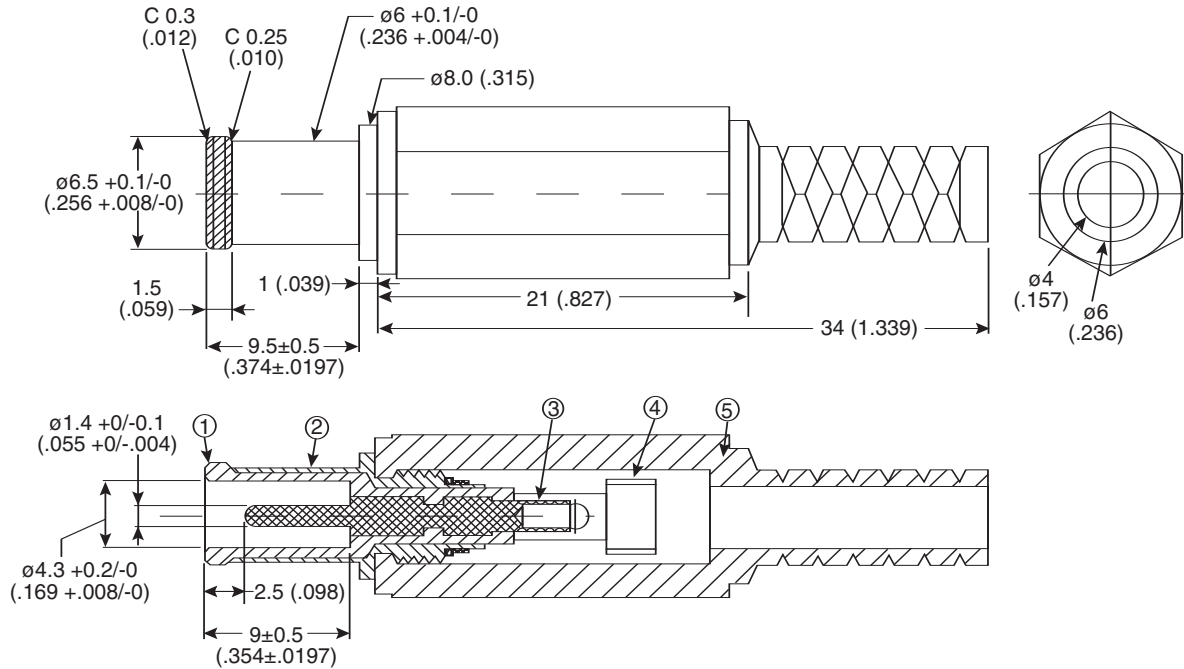


# 1.4mm Center Pin DC Power Plug

171-6014



1.4mm Center Pin DC Power Plug



Dimensions: mm (In)

## SPECIFICATIONS

Part No.	Material	Plating
1	POM	Yellow
2	Brass	Nickel
3	Brass	Nickel
4	Brass	Nickel
5	PVC	Black

Date Last Revised: 4-14-05

Available from Mouser Electronics  
1-800-346-6873  
www.mouser.com

KC-300461

171-6014