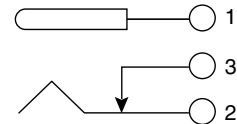
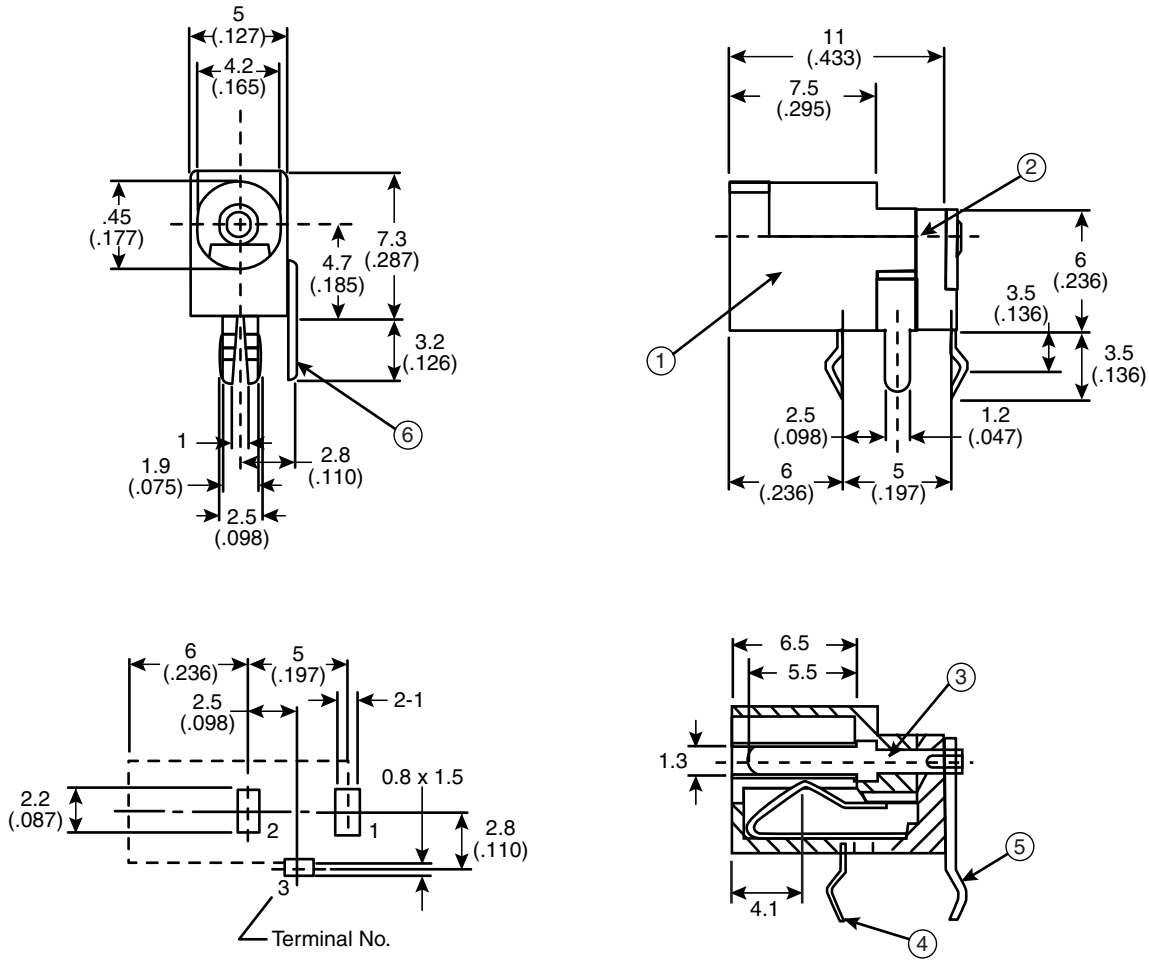


1.3mm DC Power Jack

163-2513



1.3mm DC Power Jack



DIMENSIONS: mm (In.)

Tolerances

X ≤ 5 = ± 0.10
X > 5 = ± 0.30

SPECIFICATIONS

Temperature range:	-20°C to 70°C
Rated voltage and current:	DC 6V, 0.5A
Contact resistance:	< 30m
Insulation resistance:	> 100MΩ
Withstand voltage:	250 VAC
Life test:	5,000 cycles

PC Board Hole Layout

Terminal No.	Terminal Name	Material	Thickness	Plating
6	Shunt Terminal	Brass	0.41	Ag-Plated
5	Earth Terminal	Brass	0.41	Ag-Plated
4	Tip Spring	Y-Cut	0.251	Ag-Plated
3	PIR	Brass	----	Ni-Plated
2	Back Cover	PC Resin	----	Black
1	Jack Casing	PBT/GF	----	Black

Date Last Revised: 3-29-05

Available from Mouser Electronics
1-800-346-6873
www.mouser.com

KC-300381

163-2513