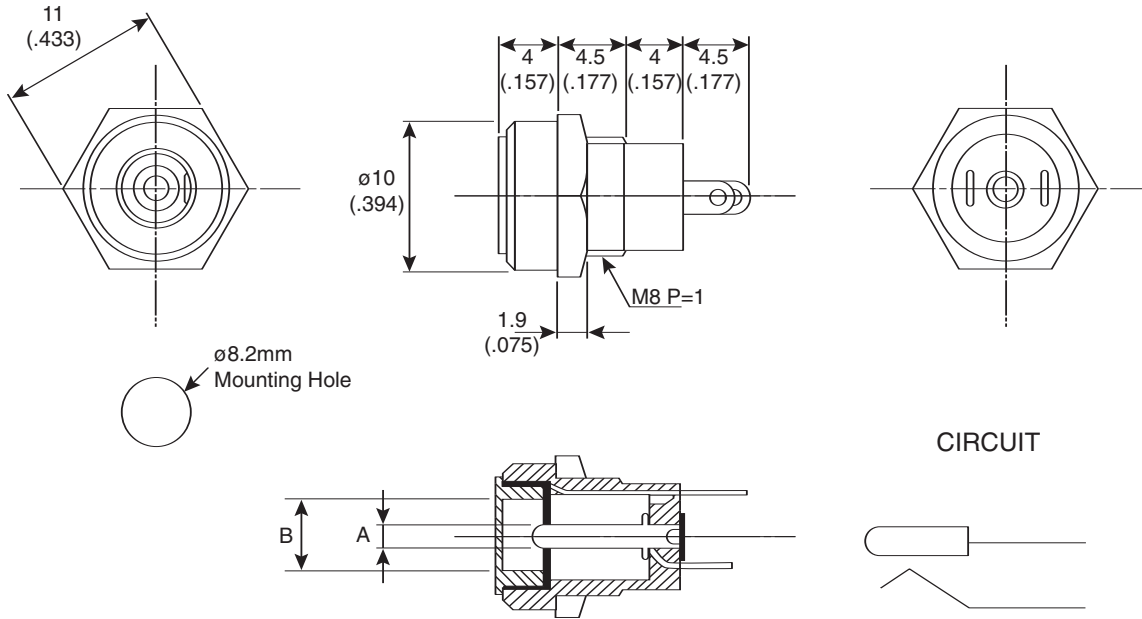


DC Power Jacks

163-4007, 163-4012, 163-4015, 163-4018, 163-4118

KOBICONN

DC Power Jacks



DIMENSIONS: mm (IN)

SPECIFICATIONS

Rating:	163-4007= 3.15VDC 2A 163-4012= 12VDC 0.5A 163-4015= 12VDC 0.5A 163-4018= 6.3VDC 2A 163-4118= 10.5VDC 2A
Withstand Voltage:	500VAC for 1 minute
Insulation Resistance:	500VDC / 100MΩ min.
Terminals:	Nickel Plated Brass
Body:	PA

MOUSER STOCK NO.	A (mm)	B (mm)
163-4007	ø0.65	ø2.5
163-4018	ø1.65	ø4.4
163-4118	ø1.65	ø5
163-4015	ø1.3	ø3.6
163-4012	ø1.3	ø4.0

Date Last Revised: 3-31-05

Available from Mouser Electronics
1-800-346-6873
www.mouser.com

KC-300367

163-4007, 163-4012, 163-4015, 163-4018, 163-4118