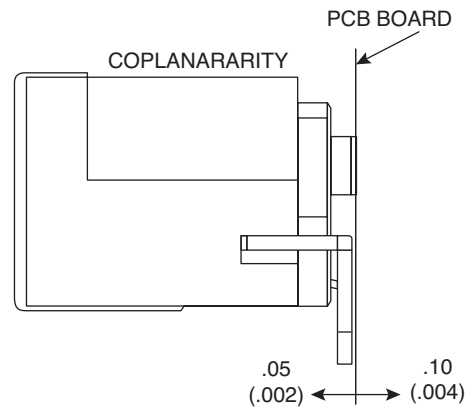
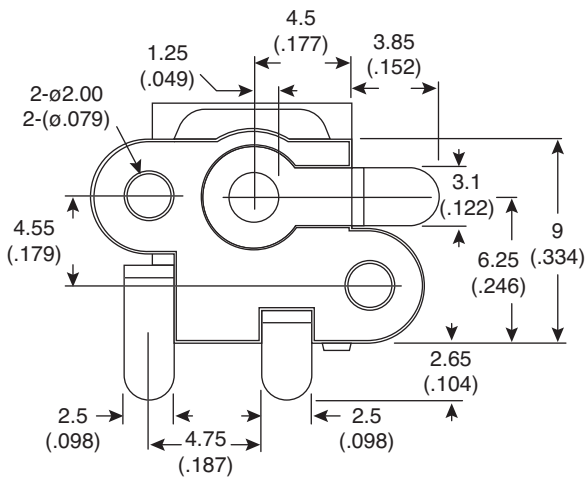
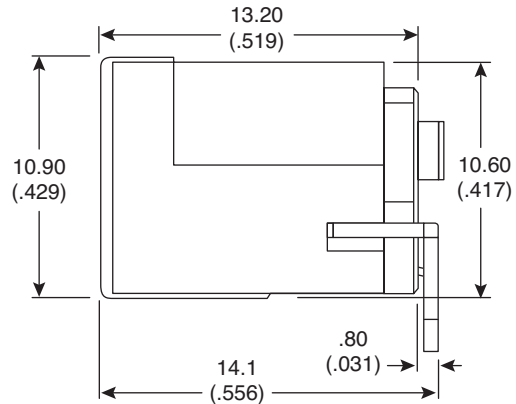
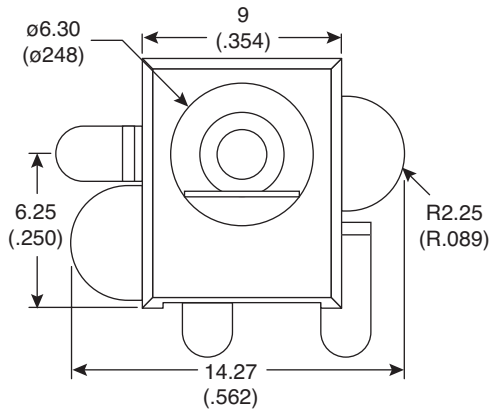


# DC Power Jacks

163-2421, 163-2425

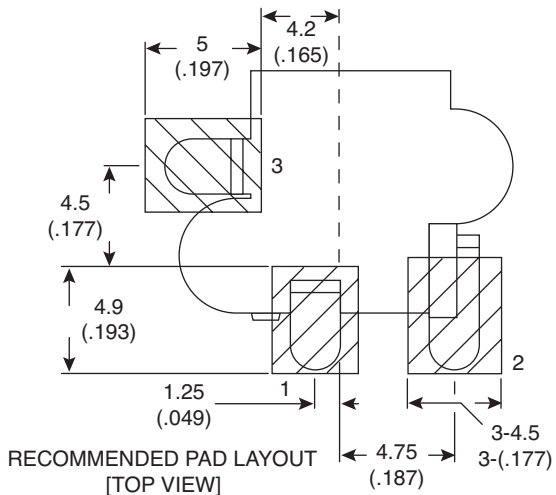


DC Power Jack



Dimensions: mm and (In.)

SPECIFICATIONS	
Plastic housing:	polymide, black
Operating temperature:	-25°C to +85°C
Insertion & extraction force:	0.2Kgs to 2.0Kgs
Contact resistance:	50mΩ max.
Insulation resistance:	100MΩ (min.) 500VDC
Withstand voltage test:	500VAC 50 to 60Hz for 1 min.
Center pin:	nickel plated copper alloy
Rated voltage:	13.5VDC
Rated current:	2.5ADC
Terminals:	tin plated brass
Durability test:	5000 mating cycles



	PIN#	DIA.	TOLER.	PART #
	A	2.00 (0.079)	+0.0 -0.1	163-2421
	B	2.50 (0.098)	+0.0 -0.1	163-2425

Date Last Revised: 11-3-05

Available from Mouser Electronics  
1-800-346-6873  
www.mouser.com

KC- 300427

163-2421, 163-2425