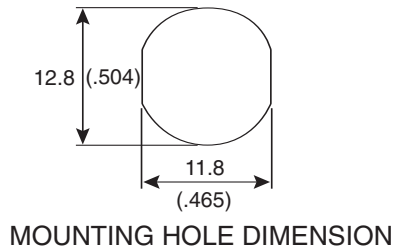
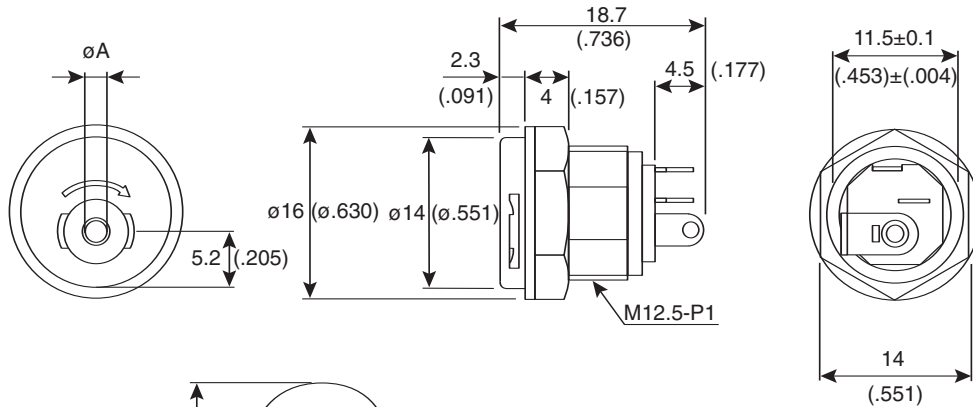


Locking DC Power Jacks

163-1000, 163-1100



Locking DC Power Jacks



CAN USE WITH THE STANDARD DC POWER PLUG AND THE LOCKING DETENT DC POWER PLUG

163-1000: use with 171-0721, 171-0722
163-1100: use with 171-0725, 171-0726

MOUSER STOCK NO.	Dimension A
163-1000	$\phi 1.9\text{mm}$
163-1100	$\phi 2.35\text{mm}$

DIMENSIONS:mm and (In.)

SPECIFICATIONS	
Rating:	(163-1000) DC12V 0.5A; (163-1100) DC12V 1A
Contact resistance:	30m Ω max
Insulation resistance:	DC500V 100M Ω min.
Withstand voltage:	AC500V for 1 min.
Nut:	PA
Insulator:	PF
Terminal B:	silver plated brass
Terminal A:	silver plated brass
Contact spring:	silver plated copper
Pin:	nickel plated brass
Body:	POM

Date Last Revised: 3-18-05

Available from Mouser Electronics
1-800-346-6873
www.mouser.com

KC-300374

163-1000, 163-1100