

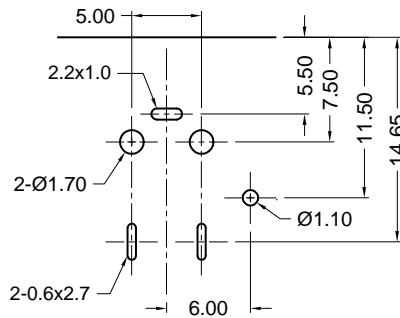
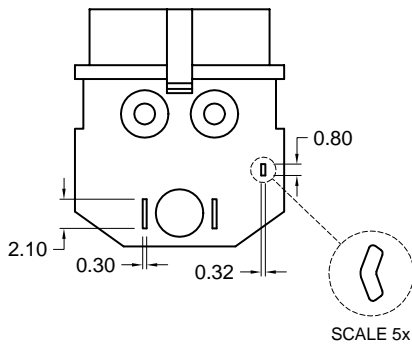
Material and Finish

Inner Shield: copper alloy, tin plated
 Body: PBT thermoplastic
 UL94V-0 rated
 color - black
 Contacts: pins 1 and 2 - brass, tin plated
 pin 3 - phosphor bronze, tin plated

Electrical Characteristics

Contact Rating:
 #1,#2: 7.5A max. @ 20V DC
 #3: 1.0A max. @ 20V DC
 Insulation Resistance:
 50 Megohms min. at 250V DC
 Dielectric Strength:
 250 V AC rms for 1 minute
 Contact Resistance:
 50 milliohms max.

Recommended PCB Layout (Bottom View)



Tolerances	
X.X	± 0.25
X.XX	± 0.15
Unless Stated Otherwise	



REVISION	DATE	DESCRIPTION	DRAWN BY	CHECKED BY	UNITS
A3	10/23/00	Ref ECO 00-123	K. Wallace	H. MA	mm
A4	7/09/01	Ref ECO 01-085	REVISED BY	CHECK DATE	DATE
A5	12/03/02	Ref ECO 02-136	T. Gokcek	12/04/02	12/17/98

KPJ-3S

DC Power Jack

3 position, non-shielded

