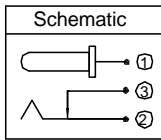
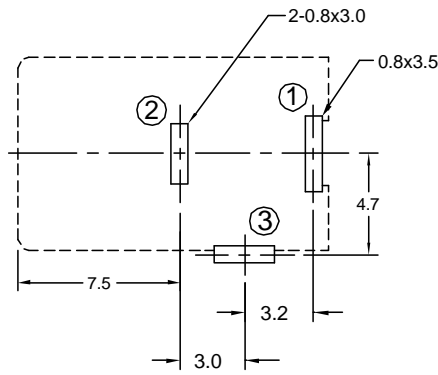
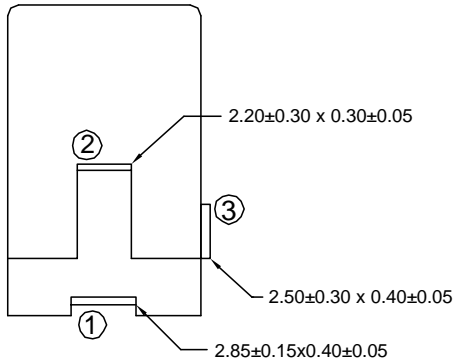
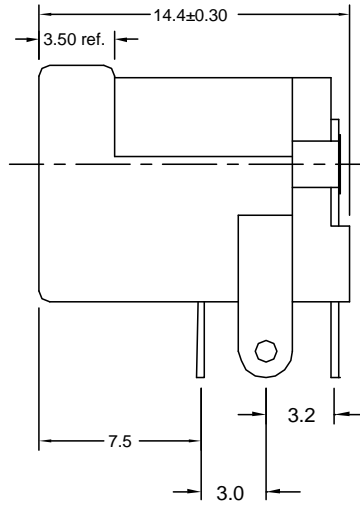
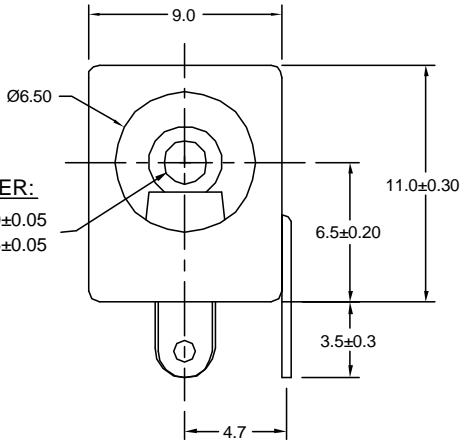


PIN DIAMETER:
 KLD-0202-A 2.0±0.05
 KLD-0202-B 2.5±0.05



PCB Layout
(Top View)

Material and Finish

Body: PBT Thermoplastic
 UL94V-0, Color: Black
 Center Pin: Copper alloy, Nickel Plated
 Contact #1: Brass, Tin Plated
 Contact #2: Phosphor Bronze, Tin Plated
 Contact #3: Brass, Tin Plated

Electrical Characteristics

Contact Resistance
 Before Test
 Between Terminals: 30 milliohms Max.
 Plug to Contacts: 50 milliohms Max.

After Test:
 Between Terminals: 60 milliohms Max.
 Plug to Contacts: 100 milliohms Max.

Rated Voltage: 24V DC

Rated Current: 3.5A,
 5A at 20V Max.

Insulation Resistance: 100 Megohms Min.
 at 500V DC

Mechanical Characteristics

Durability Test: 5000 cycles
 Insertion Force: 0.3kg-2.0kg
 Extraction Force: 0.3kg-2.0kg
 Operating Temp: -25°C to +85°C

| Tolerances |
|----------------------------|
| X.X ± 0.25 |
| X.XX ± 0.15 |
| Unless Stated Otherwise |



| REVISION | DATE | DESCRIPTION | DRAWN BY | REV CHECK BY | UNITS |
|----------|----------|----------------|------------|--------------|---------|
| B4 | 3/14/03 | REF ECO 02-128 | K. Wallace | H. MA | mm |
| B5 | 9/30/04 | ECO# 04-053 | REVISED BY | CHECK DATE | DATE |
| C1 | 01/26/06 | ECO# 05-069 | R. Aguirre | 1/31/06 | 6/30/98 |

KLD-0202-A & KLD-0202-B

Thru-hole DC power jack
 for 2.0 and 2.5 mm plugs

