

Material and Finish

Inner Shield: copper alloy, tin plated

Body: PBT thermoplastic
UL94V-0 rated
color - black

Contacts: brass, tin plated

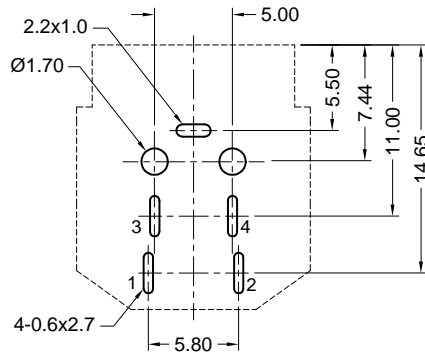
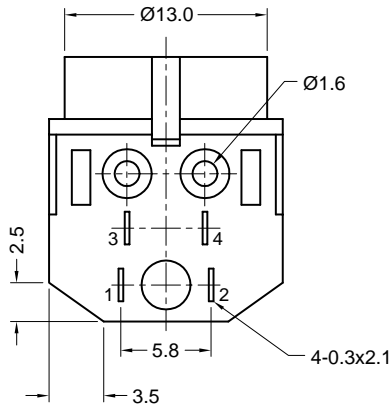
Electrical Characteristics

Contact Rating:
7.5A max. @ 20V DC

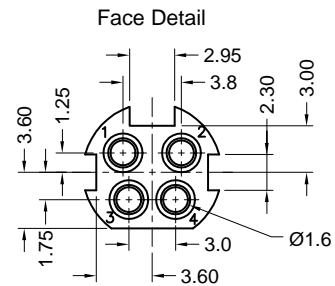
Insulation Resistance:
50 Megohms min. at 250V DC

Dielectric Strength:
250 V AC rms for 1 minute

Contact Resistance:
50 milliohms max.



Recommended PCB Layout
(Bottom View)



Tolerances	
X.X ± 0.25	
X.XX ± 0.15	
Unless Stated Otherwise	

REVISION	DATE	DESCRIPTION	DRAWN BY	CHECKED BY	UNITS
B6	12/13/00	REF ECD 00-213	C. Leiva	H. MA	mm
B7	7/09/01	REF ECD 01-085	REVISED BY	CHECK DATE	DATE
B8	12/03/02	REF ECD 02-136	T. Gokcek	12/04/02	4/24/97

KPJ-4S

DC Power Jack

4 position, non-shielded

