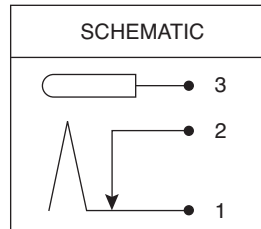
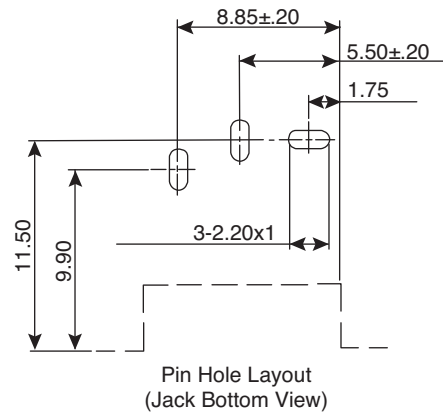
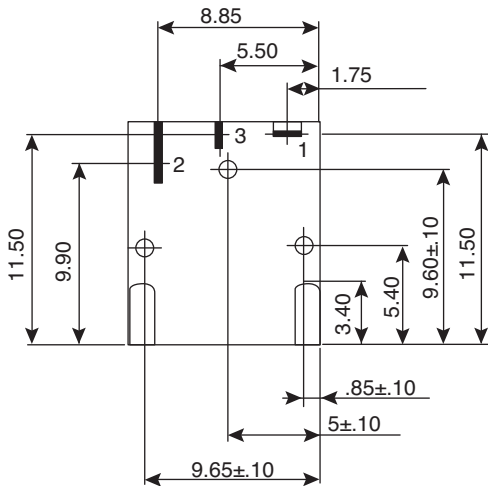
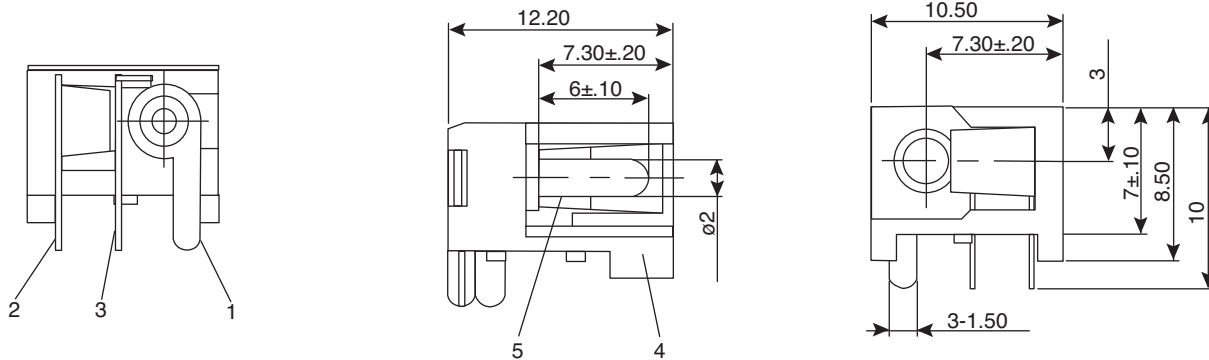


DC Power Jack

163-4521-E



DC Power Jack



Dimensions: mm

ELECTRICAL SPECIFICATIONS

1	Contact resistance: 30mΩ max.
2	Insulation resistance: 100mΩ min at DC 500V.
3	Withstanding voltage: AC 500V for 1 minute.
4	RoHS Compliant

MATERIAL SPECIFICATIONS

ITEM	SPECIFICATIONS
1	Pin Terminal: 0.3T Brass, Silver Plated
2	Sleeve Spring: 0.3T Phosphor Bronze, Silver Plated
3	Break Terminal: 0.4T Brass, Silver Plated
4	Housing: PBT, Black Color
5	Pin(2.0): Copper, Nickel Plated
RoHS Compliant	

Date Last Revised: 05/27/09

Available from Mouser Electronics
1-800-346-6873 / www.mouser.com

KC-301315

Specifications are subject to change without notice. No liability or warranty implied by this information. Environmental compliance based on producer documentation.

163-4521-E