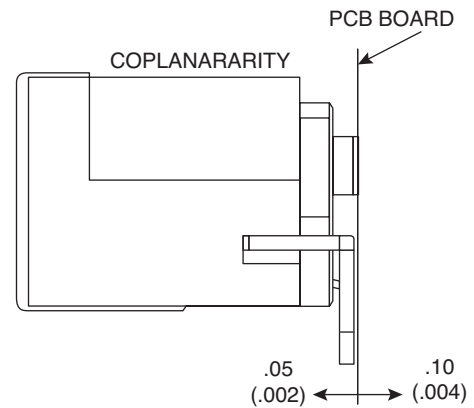
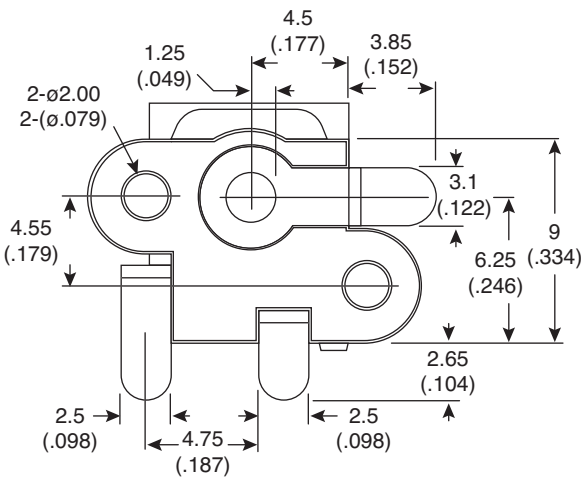
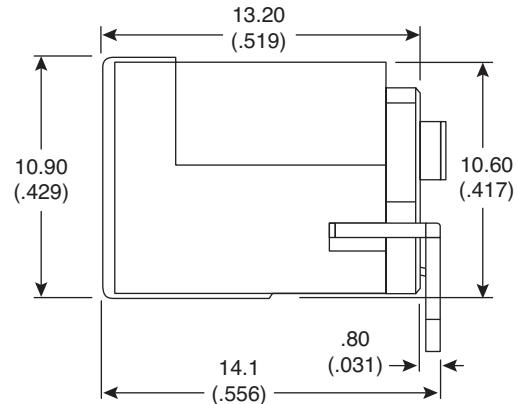
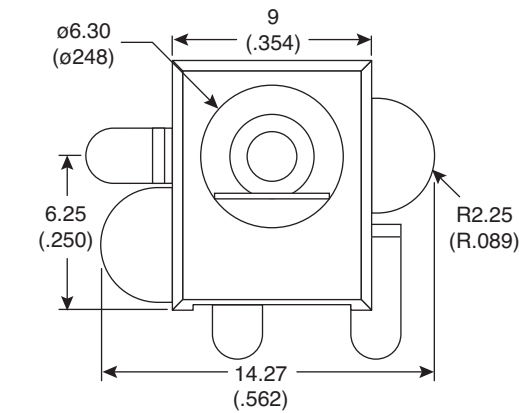


DC Power Jacks

163-2421-E, 163-2425-E

KOBICONN

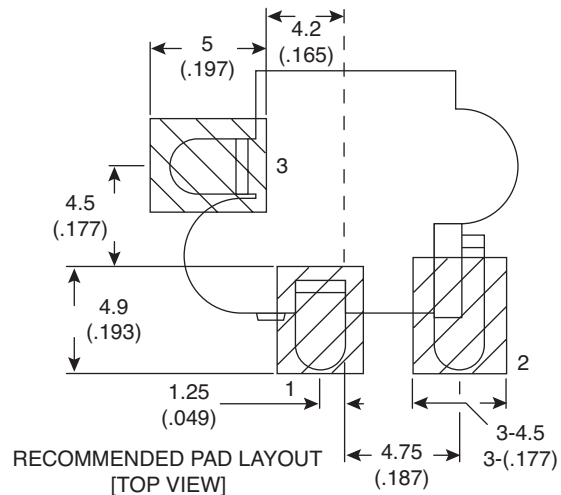
DC Power Jack



Dimensions: mm and (In.)

SPECIFICATIONS

Plastic Housing:	polyimide, black
Operating Temperature:	-25°C to +85°C
Insertion & Extraction Force:	0.2Kgs to 2.0Kgs
Contact Resistance:	50mΩ max.
Insulation Resistance:	100MΩ (min.) 500VDC
Withstand Voltage Test:	500VAC 50 to 60Hz for 1 min.
Center Pin:	nickel plated copper alloy
Rated Voltage:	13.5VDC
Rated Current:	2.5ADC
Terminals:	tin plated brass
Durability Test:	5000 mating cycles
RoHS Compliant	



	PIN#	DIA.	TOLER.	PART #
	A	2.00 (.079)	+0.0 -0.1	163-2421
	B	2.50 (.098)	+0.0 -0.1	163-2425

Date Last Revised: 6-13-06

Available from Mouser Electronics
1-800-346-6873
www.mouser.com

KC- 300981

163-2421-E, 163-2425-E