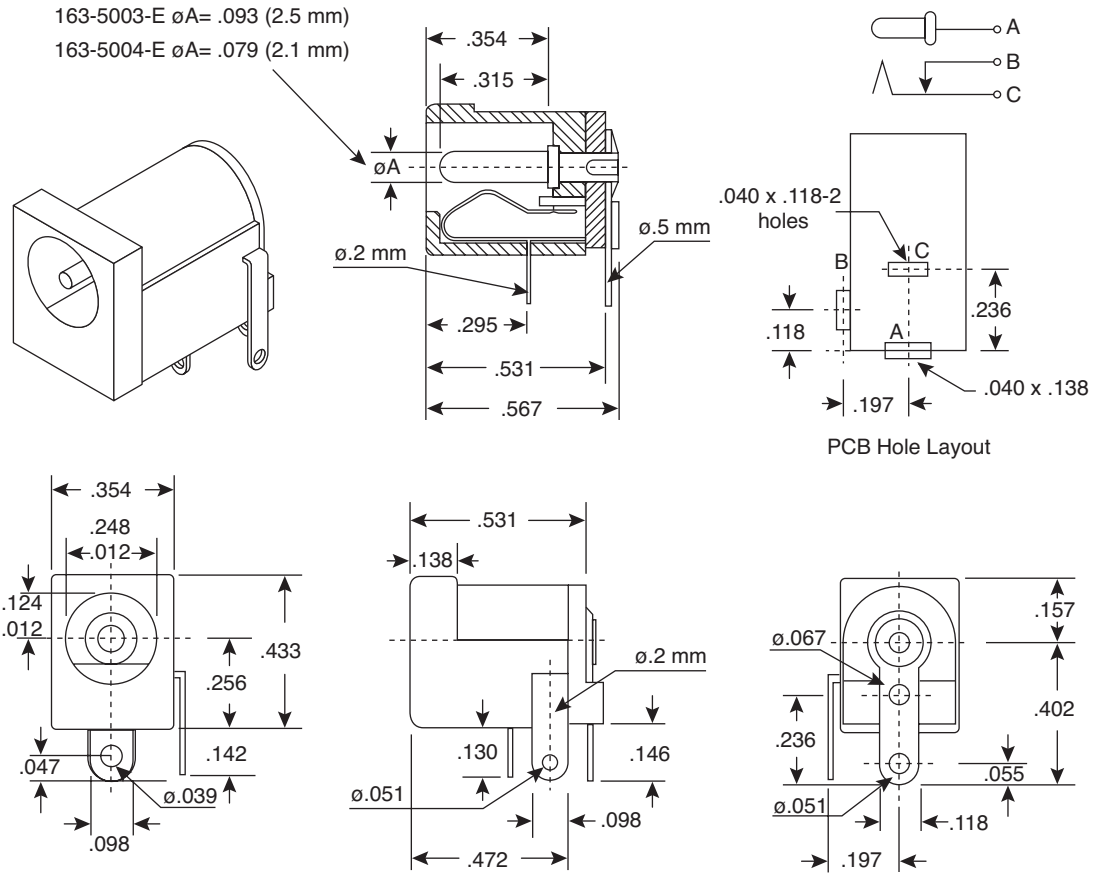


Jacks

163-5003-E, 163-5004-E



Jacks



DIMENSIONS: In.
(except where noted)

SPECIFICATIONS	
Insulation resistance:	1000M Ω @ 500VDC
Shunt spring:	silver plated brass
Tip spring:	silver plated copper alloy
Contact resistance:	30m Ω max.
Insertion force:	0.3-1.5kg
Extraction force:	0.3-1.5kg
Voltage test:	500V for 1 minute
Current rating:	1.5A @ 18VDC
General purpose:	$\pm .008$
Housing & back cover:	PBT
Center pin:	nickel plated
Break, pin, & sleeve terminals:	silver plated
Life time:	withstand more than 5,000 cycles insertion and withdrawal with test plug
This product should not be washed using a chloride-based wash	
RoHS Compliant	

Date Last Revised: 9-22-05

163-5003-E, 163-5004-E

Available from Mouser Electronics
 1-800-346-6873
 www.mouser.com

KC-301050

Specifications are subject to change without notice. No liability or warranty implied by this information. Environmental compliance based on producer documentation.