

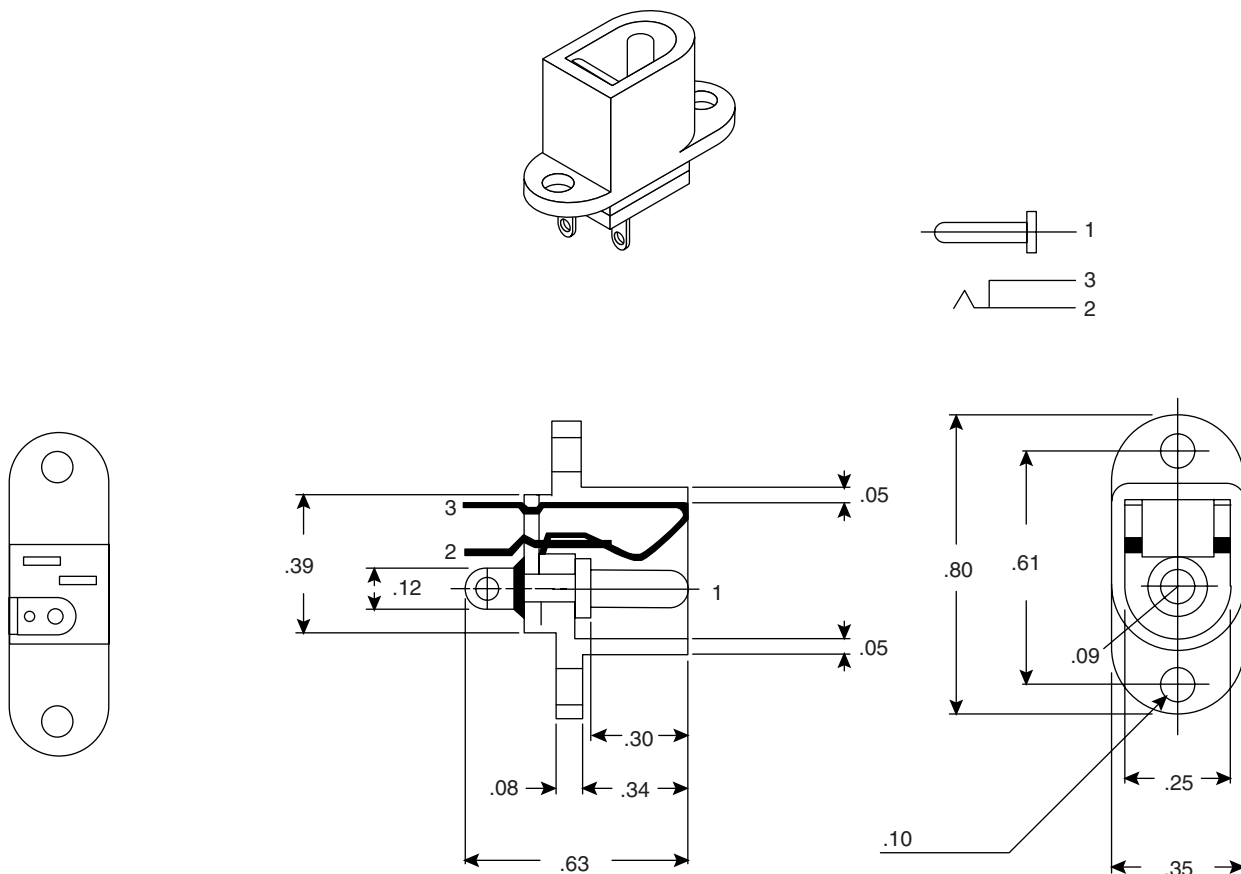
2.1mm DC Power Jack

16PJ723



2.1mm DC Power Jack

16PJ723



Dimensions: In.

SPECIFICATIONS	
Contact Resistance:	50mΩ max.
Insulation Resistance:	100MΩ @ 500VDC
Withstand Voltage:	500VAC for 1 minute
Electrical Rating:	30V, 0.3A

Date Last Revised: 10-7-04

Available from Mouser Electronics
1-800-346-6873
www.mouser.com

KC-300123