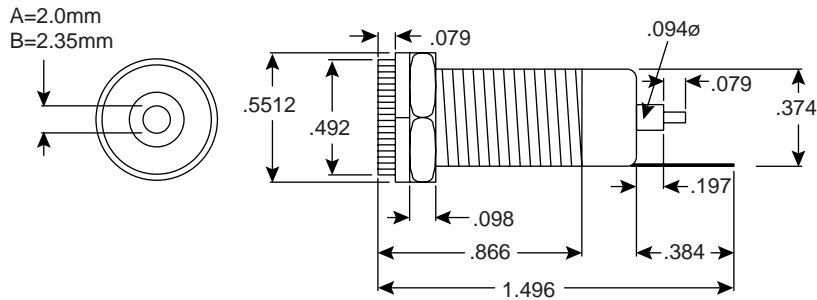
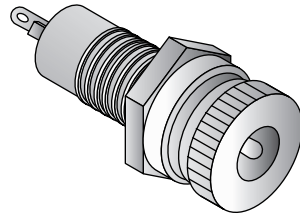


# DC Power Jack

163-4022 163-4026



DC Power Jack



## DIMENSIONS (IN.)

MATERIAL SPECIFICATIONS	
Lug:	Nickel plated brass
Insulator:	Delrin
Contact Pin:	Nickel plated brass
Spring Contact:	Phosphor bronze
Nut:	Brass
Washer:	Brass
Body:	Brass

ELECTRICAL SPECIFICATIONS	
Dielectric Strength:	500VAC
Insulation Resistance:	100MΩ min. @ 500VDC
Contact Resistance:	50mΩ max.
Power Rating:	1A @ 10VDC

Mouser Stock No.	Center Pin Dia.	Metal	Center Pin Length
163-4022	A	2.1mm, 1" bushing	7.5mm
163-4026	B	2.5mm, 1" bushing	7.5mm

Date Last Revised: 4-6-04

Available from Mouser Electronics  
1-800-346-6873  
www.mouser.com

KC- 300000

163-4022 163-4026