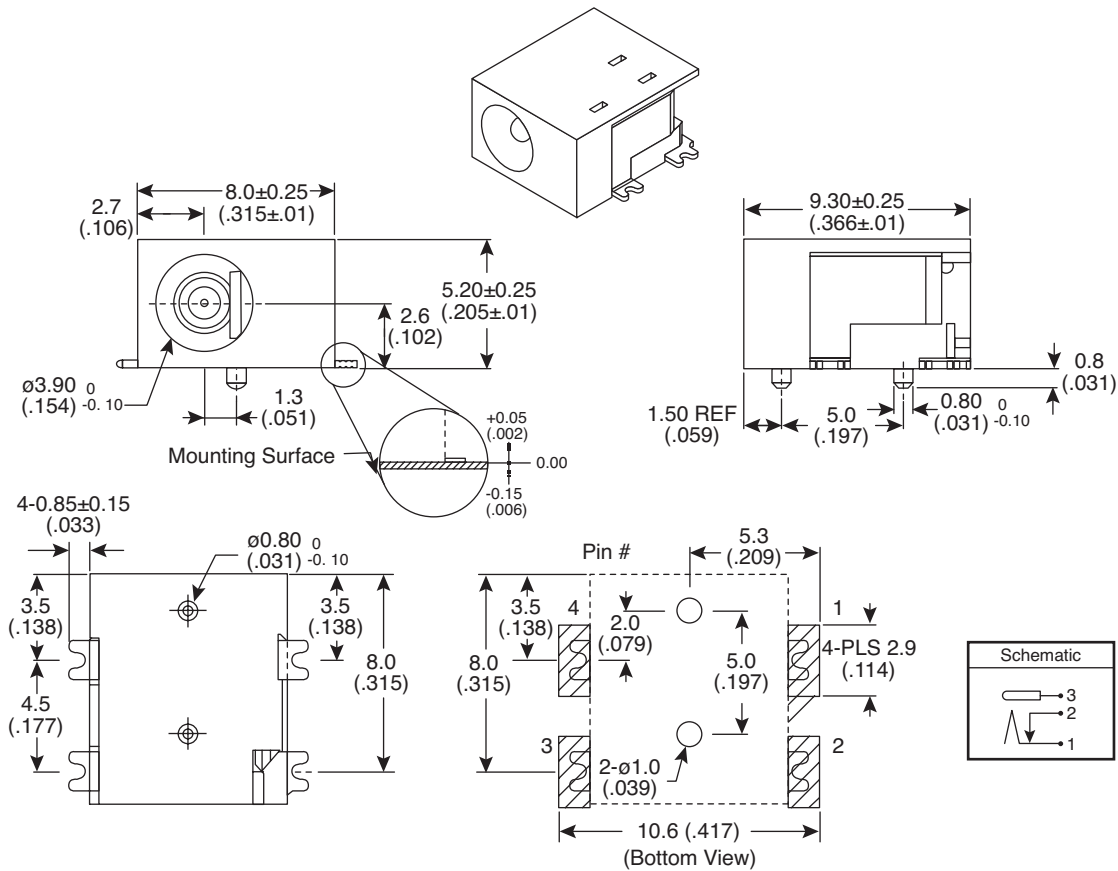


# DC Power Jack

## 163-2313-E

**KOBI**CONN

DC Power Jack



**DIMENSIONS: mm (In.)**

SPECIFICATIONS	
<b>Insertion &amp; Extraction Force:</b>	0.2Kgs to 2.0Kgs
<b>Withstand Voltage:</b>	250VAC for 1 min.
<b>Insulation Resistance:</b>	100MΩ minimum at 250VDC
<b>Contact Resistance:</b>	50mΩ max.
<b>Durability Test:</b>	5000 mating cycles
<b>Operating Temperature:</b>	-25°C to +85 °C
<b>Rated Voltage:</b>	24VDC
<b>Rated Current:</b>	3.0ADC
<b>Plastic Housing:</b>	black LCP
<b>Terminal:</b>	tin plated brass
<b>Center Pin:</b>	nickel plated copper
RoHS Compliant	

Date Last Revised: 6-13-06

Available from Mouser Electronics  
1-800-346-6873  
www.mouser.com

KC-300979

163-2313-E