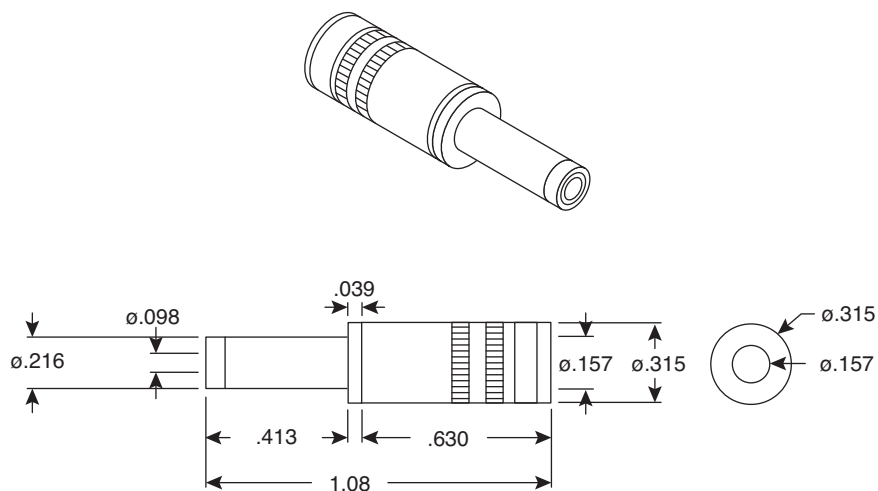


DC Power Plug

171-3225



DC Power Plug



Dimensions: in.

SPECIFICATIONS	
Type:	2.5mm DC Power
Withstand Voltage:	500VAC for 1 Minute
Insulation Resistance:	100M Ω min. @ 500VDC
Contact Resistance:	50m Ω max.
Metal Cap & Body:	Nickel Plated Brass
Lugs:	Nickel Plated Brass
Tip Insulator:	Ebonite
Lug Insulator:	ABS Plastic
Black Tube:	Nylon

Date Last Revised: 3-16-10

Available from Mouser Electronics
1-800-346-6873
www.mouser.com

KC-300478

171-3225