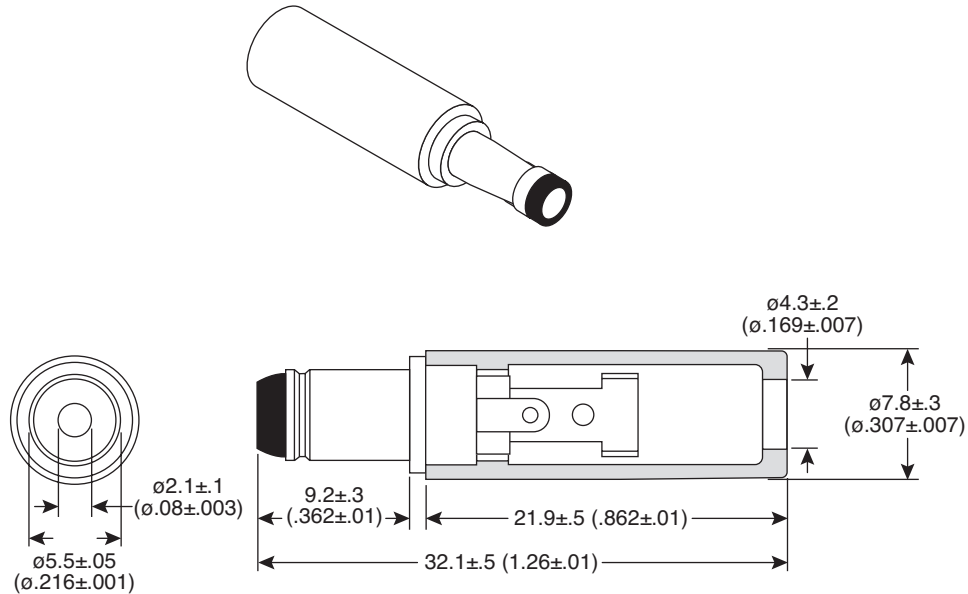


# DC Power Plug

1710-2120

**KOBI**CONN

DC Power Plug



**DIMENSIONS: mm (in.)**

SPECIFICATIONS	
<b>Type:</b>	Locking DC Power
<b>Insulation Resistance:</b>	100MΩ @ 500VDC
<b>Pin:</b>	Copper
<b>Tip Insulator:</b>	ABS
<b>Barrel, Terminal:</b>	Nickel plated copper
<b>Terminal Insulator:</b>	Fiber reinforced nylon, 200°C max.
<b>Cap:</b>	Phenolic resin
<b>Voltage:</b>	DC 50V
<b>Current:</b>	1A

Date Last Revised: 5-22-07

Available from Mouser Electronics  
1-800-346-6873  
www.mouser.com

KC-300220

1710-2120