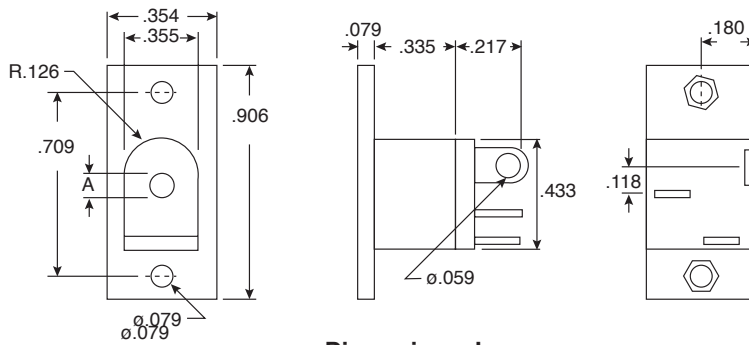
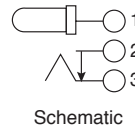
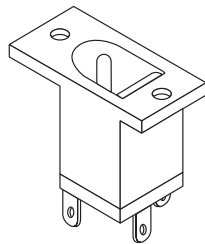


DC Power Jacks

163-4300-EX



DC Power Jacks



Dimensions: In.

SPECIFICATIONS	
Operating Temp:	-10°C ~ +65°C
Reliability:	100,000 Cycles
Insulator:	Phenolic
Maximum Temp Rating:	85°C
Contact Resistance:	30mΩ (max.)
Terminals:	Solder, Nickel Plated Brass
Insulation Resistance:	100MΩ (min.) @ 500VDC
Dielectric Strength:	500VAC (min.)
Voltage Ratings:	12VDC
Body:	ABS Plastic
Current Rating:	1A
Pin:	Nickel Plated Brass
Contact, Spring, & Pin	Silver Plated Brass
Terminal:	
"A" Dimension:	2.0mm
NC Switch	
RoHS Compliant	

Date Last Revised: 7-3-06

Available from Mouser Electronics
1-800-346-6873
www.mouser.com

KC-300993

163-4300-EX