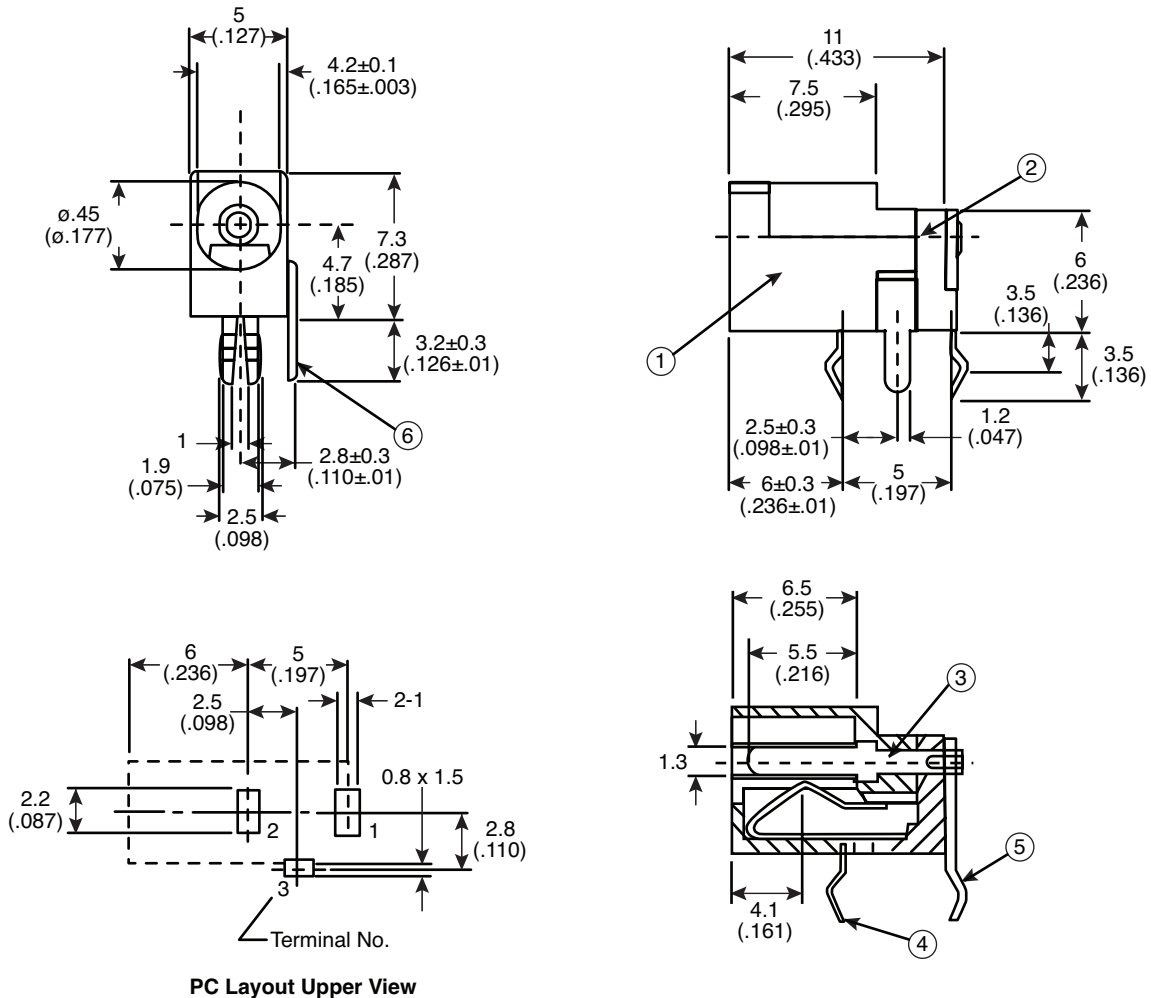


# 1.3mm DC Power Jack

163-2513-EX



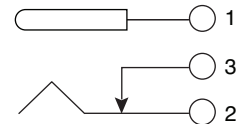
1.3mm DC Power Jack



PC Layout Upper View

DIMENSIONS: mm (In.)

Tolerances	
X ≤ 5	± 0.10
X > 5	± 0.30



SPECIFICATIONS	
Temperature range:	-20°C to 70°C
Rated voltage and current:	DC 6V, 0.5A
Contact resistance:	< 30m
Insulation resistance:	> 100MΩ
Withstand voltage:	250 VAC
Life test:	5,000 cycles
RoHS Compliant by Exemption	

PC Board Hole Layout				
6	Shunt Terminal	Brass	0.41	Ag-Plated
5	Earth Terminal	Brass	0.41	Ag-Plated
4	Tip Spring	Y-Cut	0.251	Ag-Plated
3	PIR	Brass	----	Ni-Plated
2	Back Cover	PC Resin	----	Black
1	Jack Casing	PBT/GF	----	Black

Date Last Revised: 06-19-07

Available from Mouser Electronics  
1-800-346-6873 / www.mouser.com

KC-300865

163-2513-EX

Specifications are subject to change without notice. No liability or warranty implied by this information. Environmental compliance based on producer documentation.