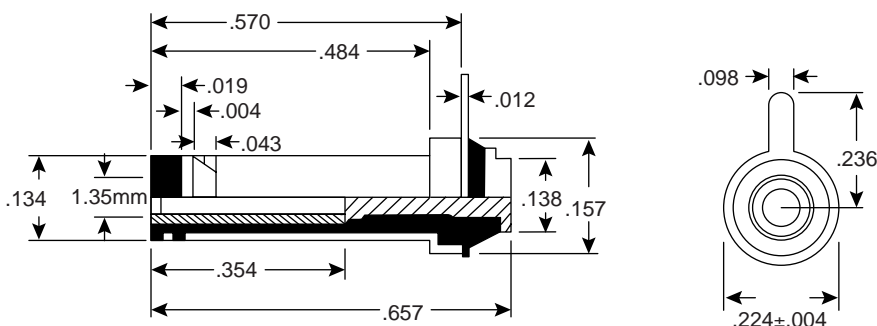
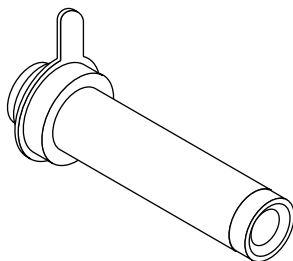


# DC Power Plug

171-3213



DC Power Plug



**DIMENSIONS (IN.)**  
Except where noted.

SPECIFICATIONS	
<b>Dielectric Strength:</b>	500VAC for 1 minute
<b>Insulation Resistance:</b>	100MΩ @ 500VDC
<b>Contact Resistance:</b>	50mΩ max.
<b>Temperature Rating:</b>	110°C
<b>Insulator:</b>	Duracon
<b>Metal:</b>	Nickel plated brass
<b>Size:</b>	1.3mm

**Application Note:**

Electrical conductivity of this plug could be effected if the molding process is not precisely controlled and engineered correctly. Factors such as temperature, pressure, and material used in the molding process can have an effect on the item being molded. Mouser has no control over these factors or the molding process and does not know enough about the various molding processes to recommend one for use. The user must determine the suitability of this product for his/her molding process.

Date Last Revised: 04-14-04

Available from Mouser Electronics  
1-800-346-6873  
www.mouser.com

KC-300056

171-3213