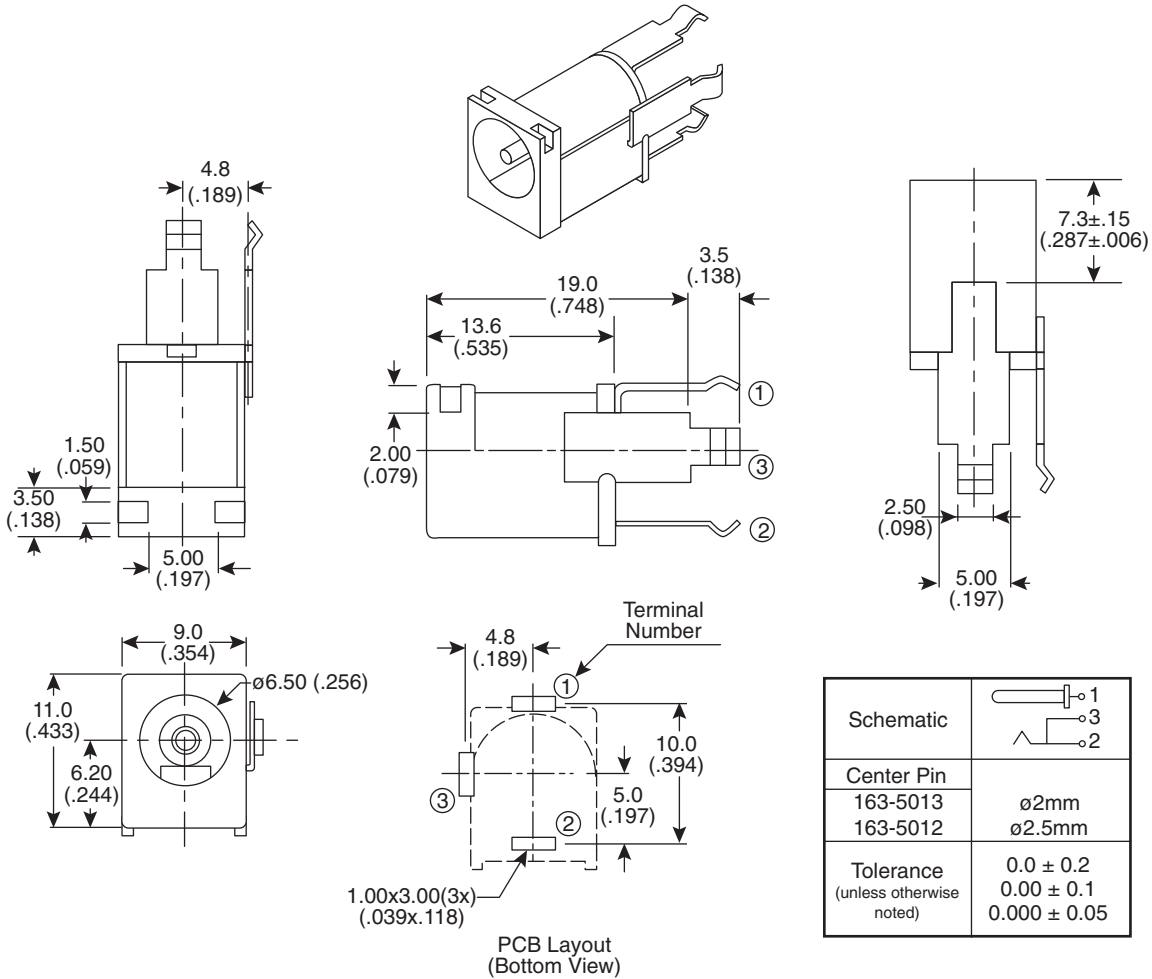


# Jacks

163-5012, 163-5013



Jacks



DIMENSIONS: mm (in.)

SPECIFICATIONS	
<b>Type:</b>	PC mount DC power, DIP
<b>Contact resistance:</b>	Normally closed terminals shall not exceed 0.03Ω when measured at a current of one Ampere by Voltage drop method.
<b>Insulation resistance:</b>	Adjacent open terminals shall not be less than 50MΩ when measured w/ 500V resistance meter
<b>Connector:</b>	Withstands 500VRMS between adjacent open terminal for 1 minute. Shall Withstand 5,000 cycles of insertions and withdrawal with testing plug, contact resistance shall not exceed 0.1Ω
<b>Rated voltage:</b>	16V DC max.
<b>Rated current:</b>	2.5 A

MATERIALS	
<b>Center Pin:</b>	Copper
<b>Terminal 1:</b>	Brass
<b>Terminal 2:</b>	Copper Alloy
<b>Terminal 3:</b>	Brass
<b>Housing:</b>	PBT
<b>Cover:</b>	PBT

Date Last Revised: 3-25-10

Available from Mouser Electronics  
1-800-346-6873 / www.mouser.com

KC-300386

Specifications are subject to change without notice. No liability or warranty implied by this information. Environmental compliance based on producer documentation.

163-5012, 163-5013