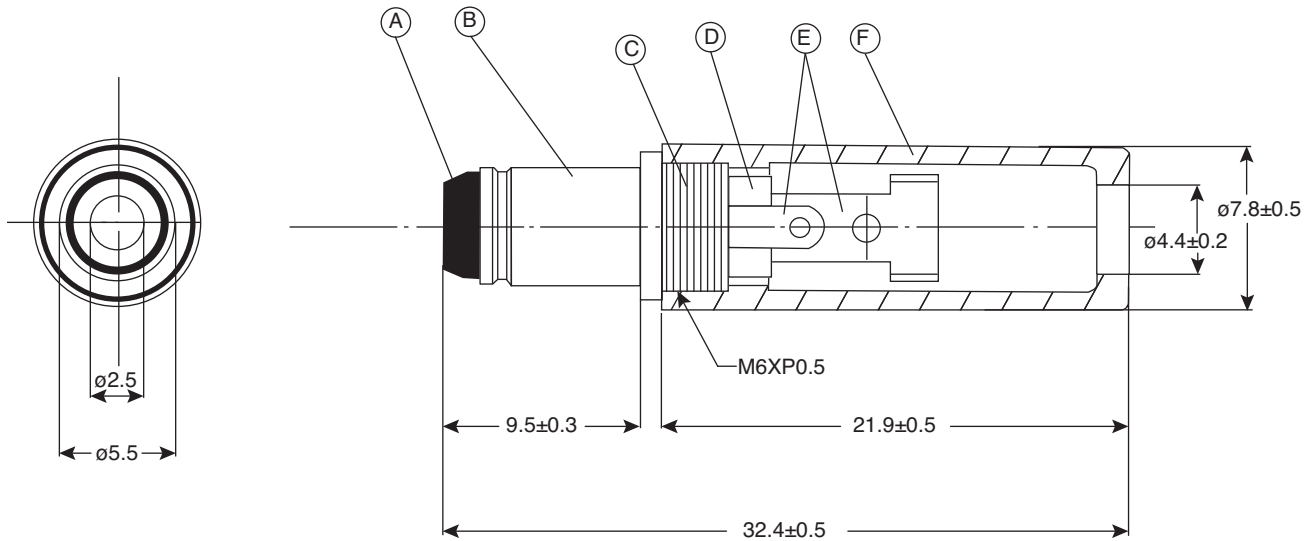


Locking DC Power Plug

1710-2522



Locking DC Power Plug



Dimensions: mm

Unless Otherwise Specified Tolerances

0.5-5 = ± 0.2

5-30 = ± 0.4

30-120 = ± 0.6

120-315 = ± 1

315-1000 = ± 1.6

1000-2000 = ± 2.4

SPECIFICATIONS

Type:		Locking DC Power	
Insulation Resistance:		100M Ω @ 500VDC	
No.	Description	Material	Finish
A	Insulator	ABS	Black
B	Tube	Brass	Nickel
C	Head	Brass	Nickel
D	Insulator	Nylon+Fiber	Black
E	Terminal	Brass	Nickel
F	Shell	ABS	Black

Date Last Revised: 12-3-10

Available from Mouser Electronics
1-800-346-6873
www.mouser.com

KC-300479

1710-2522

Specifications are subject to change without notice. No liability or warranty implied by this information. Environmental compliance based on producer documentation.