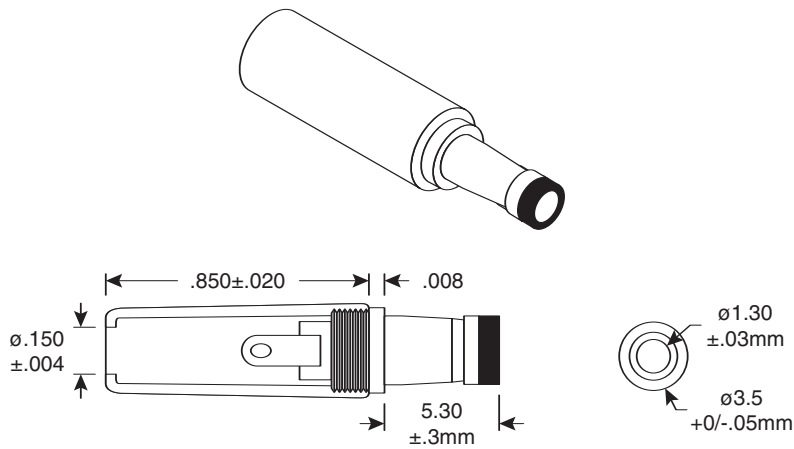


# DC Power Plug

1710-1332



DC Power Plug



**Dimensions: In.**  
(Except where noted.)

SPECIFICATIONS	
Type:	Locking DC Power
Insulation Resistance:	100M $\Omega$ @ 500VDC
Tip Insulator:	ABS
Barrel, Terminal, Pin:	Nickel Plated Copper
Terminal Insulator:	Fiber Reinforced Nylon, 200°C Max.
Cap:	Phenolic Resin

Date Last Revised: 4-14-05

Available from Mouser Electronics  
1-800-346-6873  
www.mouser.com

KC-300464

1710-1332