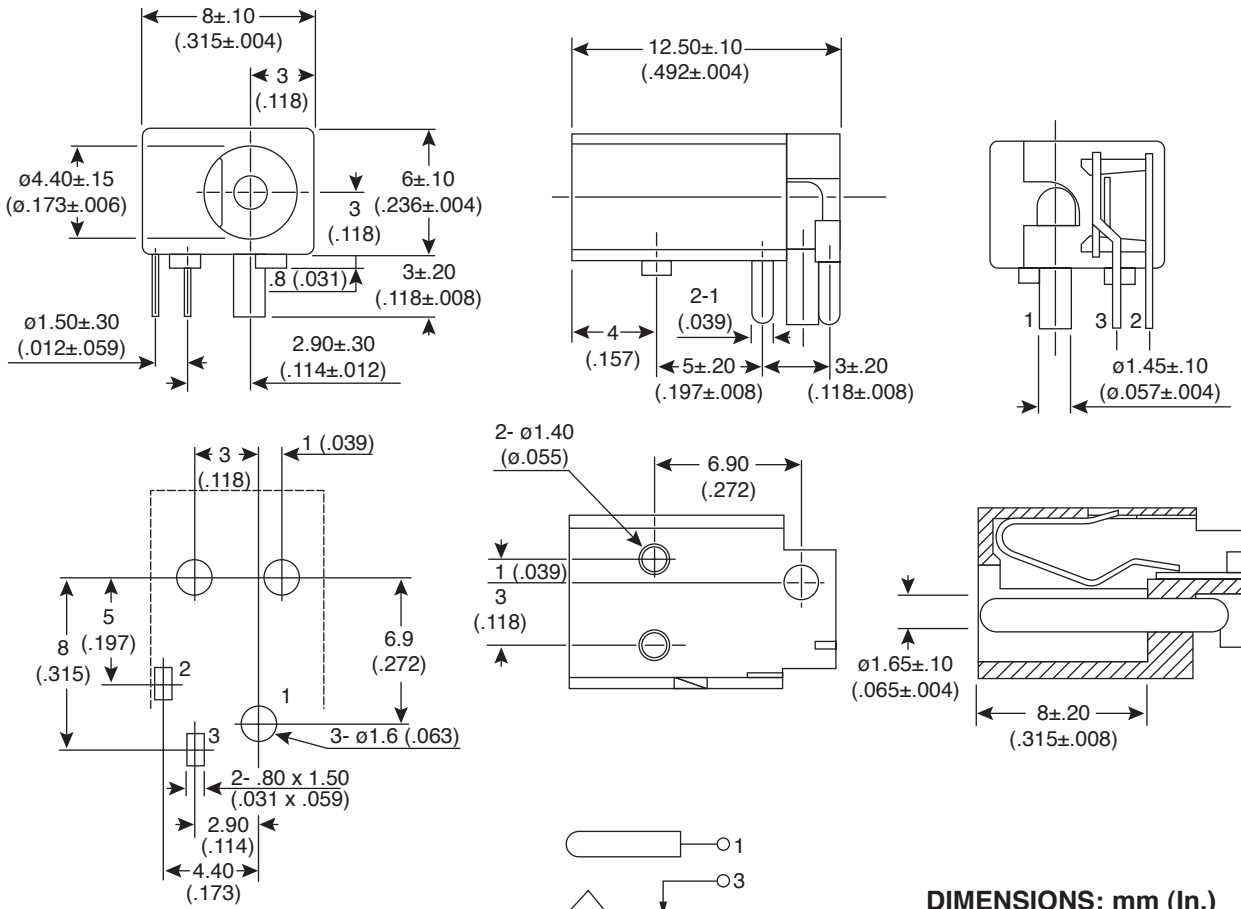


DC Power Jack

163-4019-EX



DC Power Jack



PC BOARD HOLE LAYOUT
TOP VIEW

CIRCUIT DIAGRAM

DIMENSIONS: mm (In.)

SPECIFICATIONS	
Terminal:	silver plated brass
Pin:	nickel plated brass
Jack body:	PBT/GT resin
Rating:	6VDC, 2A
Insertion force:	500 ~ 1200gm
Extraction force:	400 ~ 1300gm
Contact resistance:	not more than 30mΩ
Insulation resistance:	not less than 100MΩ
Withstand voltage:	250VAC (50 ~ 60Hz) for one min.
Temperature range:	-20 °C ~ 70 °C
Life test:	5,000 times a min.
RoHs Compliant by Exemption	

Date Last Revised: 12-27-05

Available from Mouser Electronics
1-800-346-6873
www.mouser.com

KC-300944

163-4019-EX

Specifications are subject to change without notice. No liability or warranty implied by this information. Environmental compliance based on producer documentation.