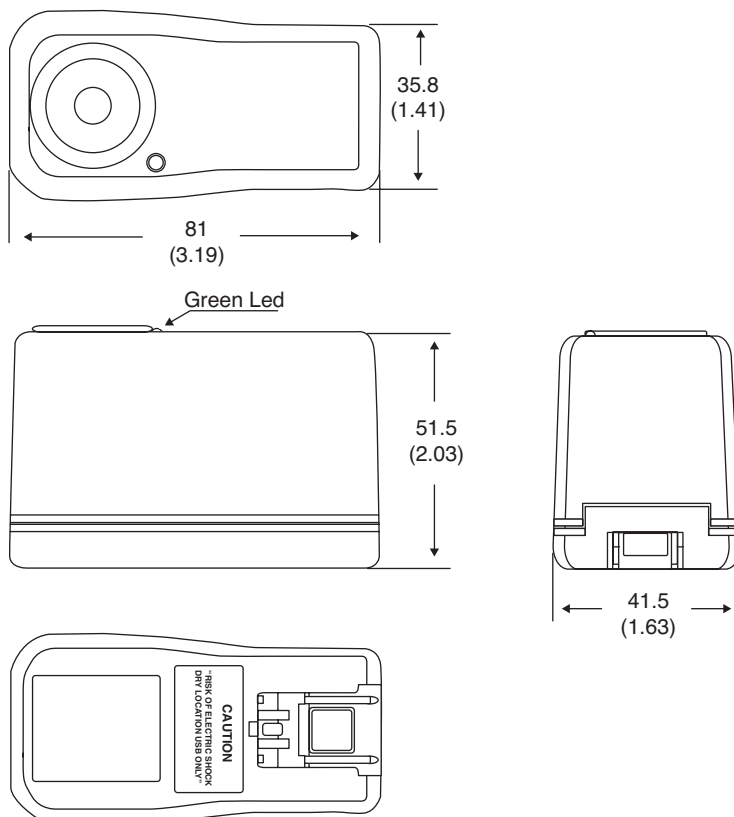


DC Auto Power Plug

171-A13152-EX



DC Auto Power Plug



Dimensions: mm (in.)

SPECIFICATIONS	
Rating:	Input: 100~240 V AC 50/60 Hz
	Output: 13.5 V DC 100mA
Insulation Resistance:	DC 500V 100MΩ Min
Operating Temperature:	-0°C~60°C
RoHS Compliant by Exemption	

Date Last Revised: 03/19/08

Available from Mouser Electronics
1-800-346-6873 / www.mouser.com

KC-301210

171-A13152-EX

Specifications are subject to change without notice. No liability or warranty implied by this information. Environmental compliance based on producer documentation.