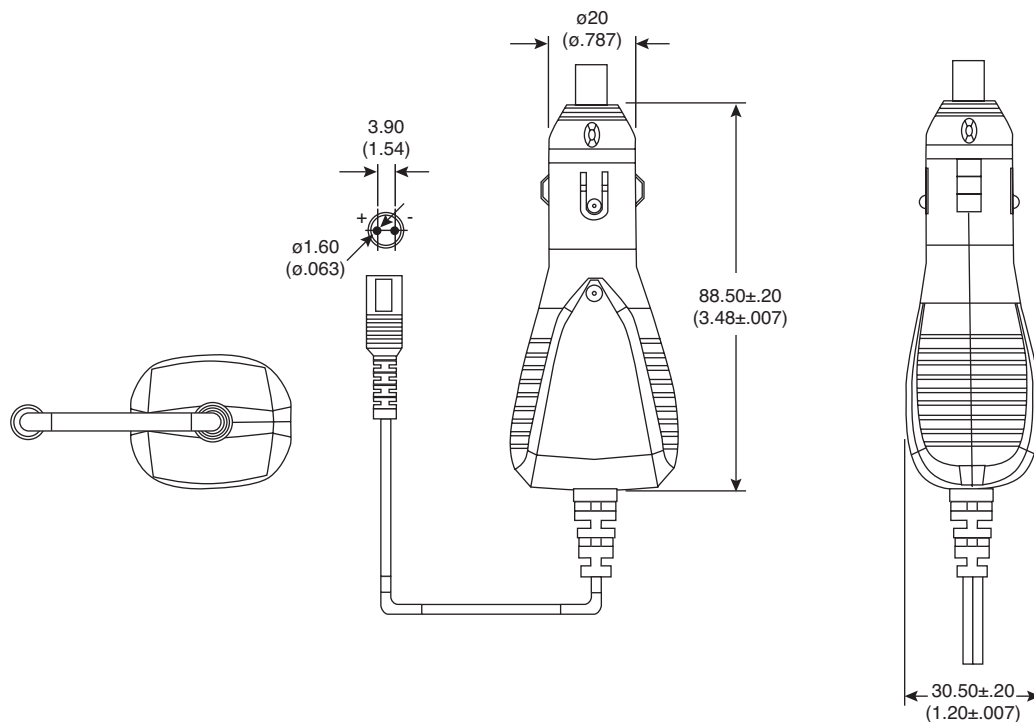


# DC Auto Power Plug

171-A13130-EX



DC Auto Power Plug



Dimensions: mm (in.)

SPECIFICATIONS	
Rating/Input:	12/24 VDC
Rating/Output:	5 VDC 2000mA
Insulation Resistance:	DC 500V 100MΩ Min
Voltage Breakdown:	AC 1000V 1 minute
Operating Temperature:	0° C~45° C
Fuse:	3A $\phi 5 \times 20$ Glass Tube
Operation Force:	2.0~8.0kg
Cord:	6 Foot
RoHS Compliant by Exemption	

Date Last Revised: 4-23-08

Available from Mouser Electronics  
1-800-346-6873 / [www.mouser.com](http://www.mouser.com)

KC- 301212

171-A13130-EX

Specifications are subject to change without notice. No liability or warranty implied by this information. Environmental compliance based on producer documentation.