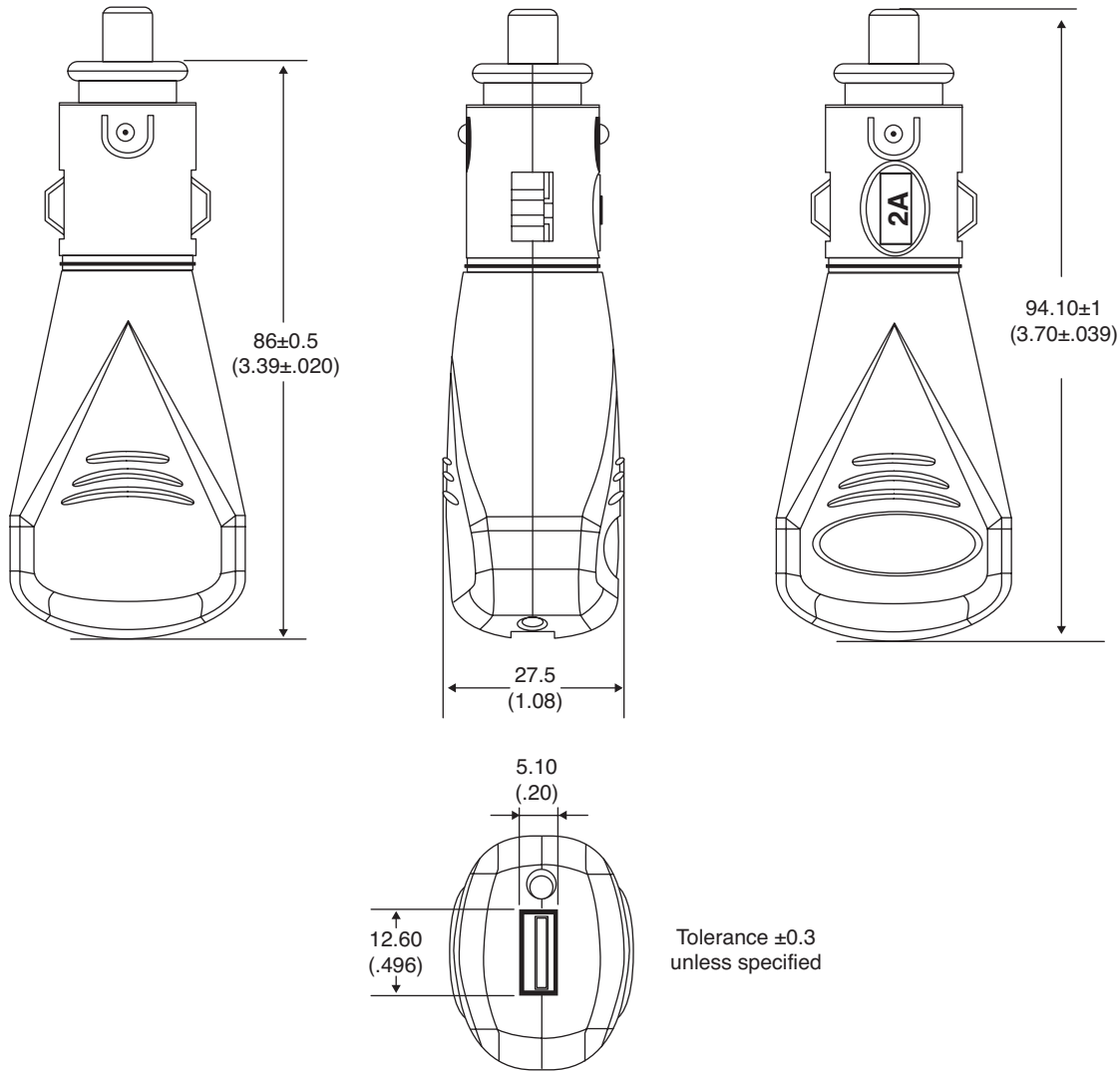


DC Auto Power Plug

171-A13117-EX



DC Auto Power Plug



Dimensions: mm (in.)

SPECIFICATIONS	
Rating:	Input: DC 12V/24V
	Output: DC5V 0.5 Amp
Insulation Resistance:	DC 500V 100MΩ Min
Operating Temperature:	-30~70°C
Circuit:	Ste Affaou
Fuse:	2A mini blade fuse
RoHS Compliant by Exemption	

Date Last Revised: 04/23/08

Available from Mouser Electronics
1-800-346-6873 / www.mouser.com

KC-301213

171-A13117-EX

Specifications are subject to change without notice. No liability or warranty implied by this information. Environmental compliance based on producer documentation.