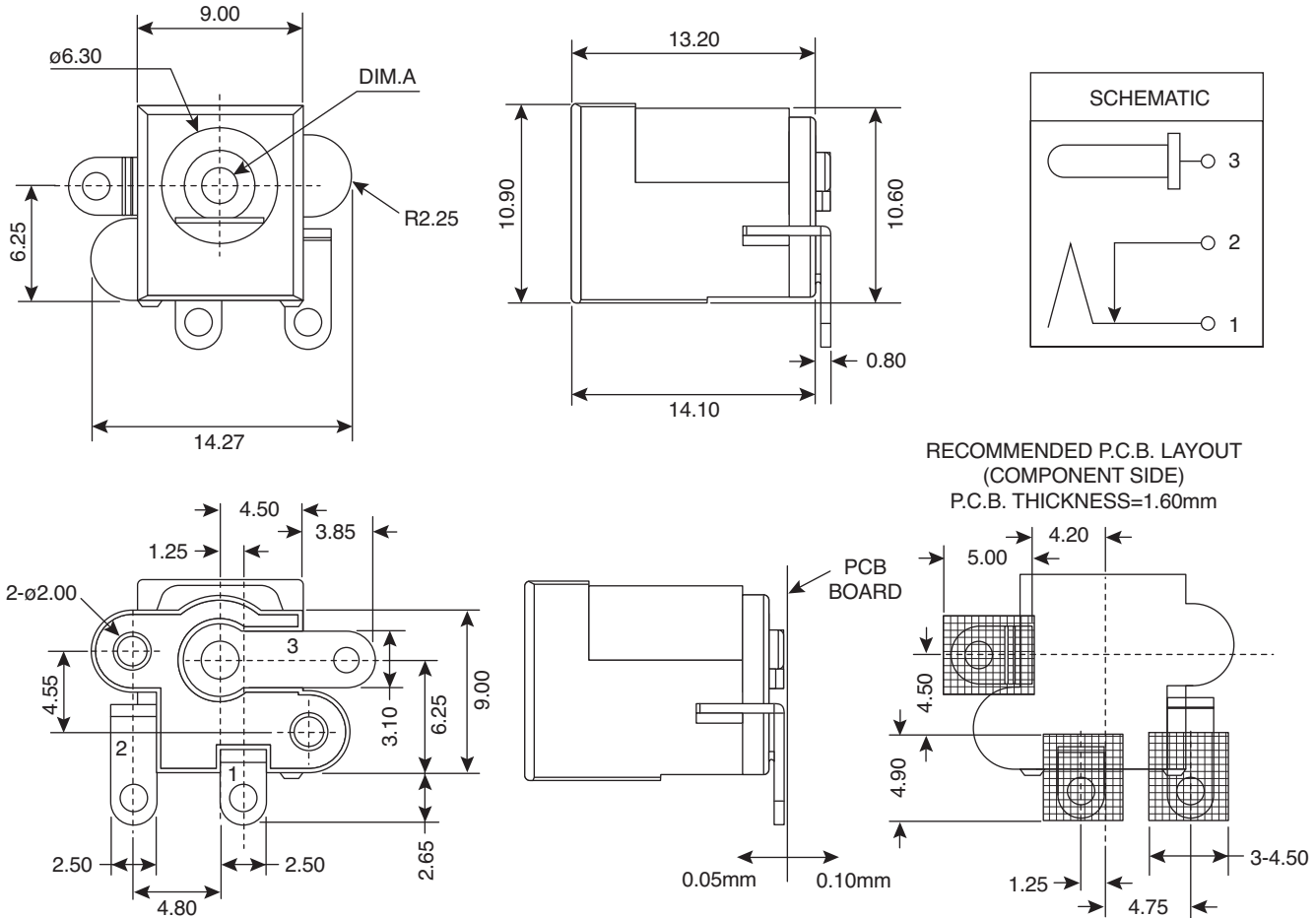


# DC Power Jacks

163-5030-E, 163-5031-E

**KOBI**CONN

DC Power Jacks



Dimensions: mm

P/N	DIM. A
163-5030-E	2.00±0.1
163-5031-E	2.50±0.1

### Material Specifications:

Housing:	High Temp. Plastic UL94V-0
Terminal:	Copper Alloy
Terminal Plating:	Silver on contact and solder all over Nickel
Center Pin:	Copper Alloy
Center Pin Plating:	Nickel

RoHS Compliant

Date Last Revised: 2/24/10

Available from Mouser Electronics  
1-800-346-6873 / [www.mouser.com](http://www.mouser.com)

KC-301310

Specifications are subject to change without notice. No liability or warranty implied by this information. Environmental compliance based on producer documentation.

163-5030-E, 163-5031-E