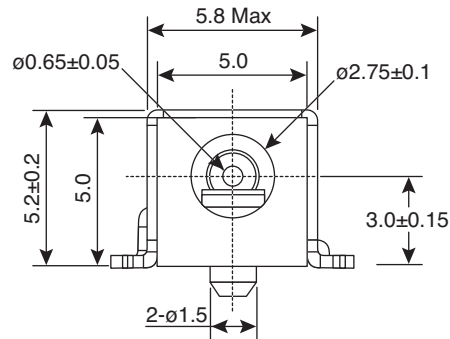
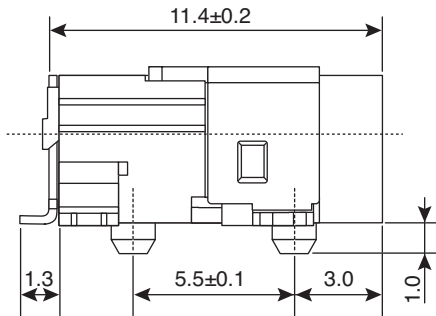


# SMT DC Power Jack

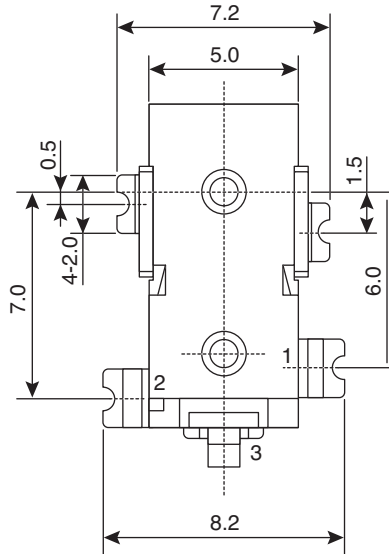
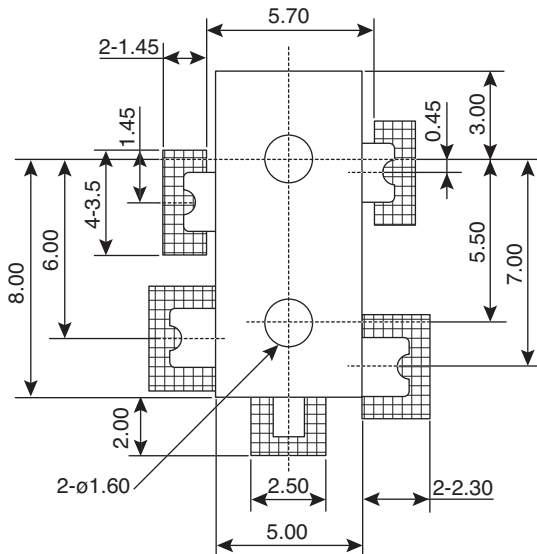
163-1907-E



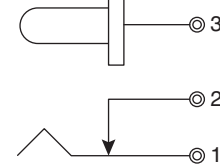
SMT DC Power Jack



Recommended P.C.B. Layout (Component Side)



Schematic



Dimensions: mm

| MATERIAL SPECIFICATIONS  |   |
|--------------------------|---|
| <b>Housing:</b>          | High Temp. Plastic UL94V-0                          |
| <b>Terminal:</b>         | Copper Alloy  |
| <b>Terminal Plating:</b> | Silver on contact and tin on solder all over nickel |
| <b>Shell:</b>            | SPCC  |
| <b>Shell Plating:</b>    | Nickel  |

| ELECTRICAL SPECIFICATIONS               |                |
|---|----------------|
| <b>Current Rating:</b>                  | 3.0A AC/DC     |
| <b>Voltage Rating:</b>                  | 4.2V AC/DC     |
| <b>Contact Resistance:</b>              | 100mΩ Max.     |
| <b>Insulation Resistance:</b>           | 100mΩ Min.     |
| <b>Dielectric Withstanding Voltage:</b> | 250V AC/Minute |

RoHS Compliant

Date Last Revised: 10/10/08

Available from Mouser Electronics  
1-800-346-6873  
www.mouser.com

KC-301322

Specifications are subject to change without notice. No liability or warranty implied by this information. Environmental compliance based on producer documentation.

163-1907-E