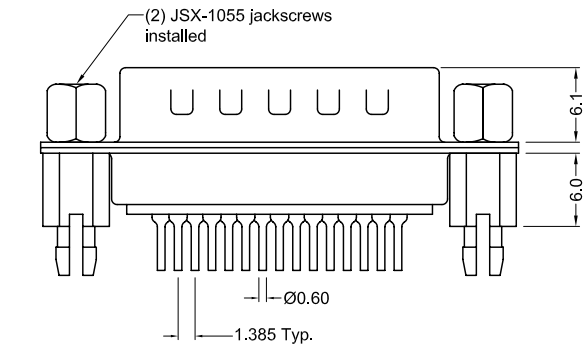
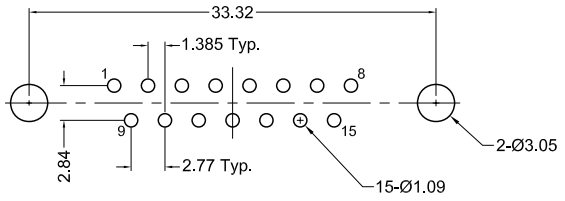
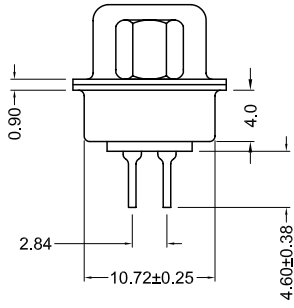


Recommended PCB Layout
(top view)



Boardlock not shown in this view



Material And Finish

Shell: Steel Material, Tin Plated
 Insert: PBT Thermoplastic, Black Color, 30% Glass Filled, UL 94V-0 Rated

Contact Material: Plug - Brass

- Contact Plating: Standard:
 Gold flash on mating end, tin on termination end, with entire contact nickel underplated
- 15 Option:
15u" gold on mating end, tin on termination end, with entire contact nickel underplated
 - 30 Option:
30u" gold on mating end, tin on termination end, with entire contact nickel underplated

Electrical Specifications

- Rated Current: 2A
- Rated Voltage: 30V RMS
- Dielectric Withstanding Voltage: 1000V (rms) AC for 1 minute
- Insulation Resistance: more than 1000 Megohm at 500V DC
- Contact Resistance: 13 milliohm max.
- Operating Temperature: -55°C to +105°C

Ordering Information

Part Number	Contact Area Plating Finish
K85X-AD-15P-BRJ	Gold Flash (standard)
K85X-AD-15P-BRJ15	15u" Gold (15 option)
K85X-AD-15P-BRJ30	30u" Gold (30 option)



Tolerances
X.X ± 0.25
X.XX ± 0.15
Unless Stated Otherwise

REV.	DATE	DESCRIPTION	REV. BY	CHK. BY	DRAWN BY	DATE
A1	1/05/06	New Drawing	R. Aguirre	H. MA	R. Aguirre	10/12/05
A2	1/8/08	ECO # 07-052	WILL H.	H. MA		

K85X-AD-15P-BRJ

Vertical PCB Mount D-Sub ,RoHS Compliant
 15 pos. male w/boardlocks & JS-1055 jackscrews installed

